



SAMSUNG 2 series CAMERA

SCC-B2003P/ SCC-B2303P
SCC-B2005P/ SCC-B2305P
SCC-B2007P/ SCC-B2307P



			Wide Dynamic Range	Privacy Zones			

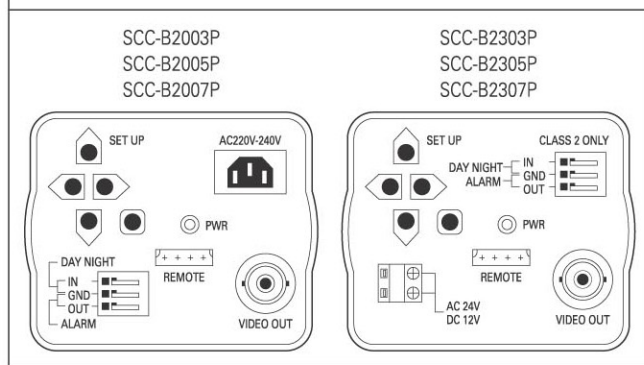
Features

- 1/3-Inch CCD
- 500 TV Lines Resolution
- Day/ Night Capability
- Motion Detection
- On Screen Display Manual
- Back Light Compensation
- Automatic White Balance
- Super High Sensitivity of 0.001 Lux (SCC-B2x07P)
- 80x Wide Dynamic Range (SCC-B2x05P)
- Privacy Zone Masking (SCC-B2x05P)
- Accepts 2 Types of Auto-Iris Lenses (DC/ Video)
- DC and Video Drive Auto Iris
- C/CS Lens Mount
- External Synchronization with Line Lock
- 12V DC/24V AC or 220V AC Power

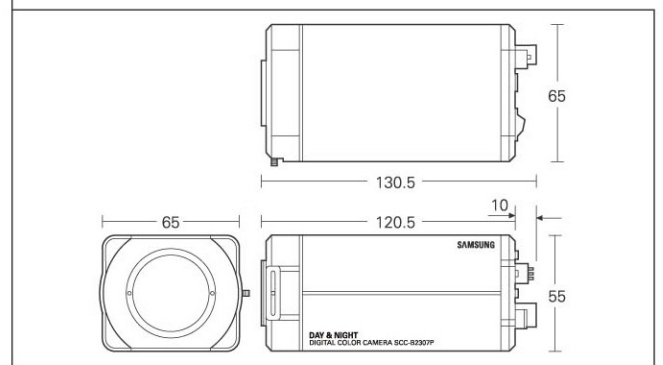
Specification

Model	SCC-B2003P/ SCCB2303P	SCC-B2005P/ SCCB2305P	SCC-B2007P/ SCC-B2307P
Camera Type	Color		Color
Image	Device		
	CCD		
	Size		
	1/3 inch		
Scanning	Pixels-Total		
	795 x 596		
	Pixels-Effective		
	752 x 582		
	System		
	Interlace		
Min. scene Illumination	Color		
	0.3 Lux (Sense Up x128 : 0.002)		0.2 Lux (Sense Up x128 : 0.001)
	B/W		
	0.06Lux (Sense Up x128 : 0.0004)		0.03 Lux (Sense Up x128 : 0.0002)
Functions	Number of privacy Zone		
	----		8
	Day/ Night		
	Color/ BW/ AUTO/ EXT		
	Motion Detection		
	Off/ On		
	Wide Dynamic Range		
	----		Off/ On (x80)
	D-Zoom		
	Off ~ x10		Off ~ x10
	High Speed Shutter		
	Off ~ 1/10,000sec		
	Sense Up		
	Off ~ x128		Off ~ x160
	PIP		
Off/ On		Off/ On	
Resolution	BLC		
	Off/ On		
	AGC		
	Off/ On		
	ELC		
	Off/ On (Max. 1/100,000sec)		
	Line Lock		
	Off/ On		
	Camera ID		
	Off/ On		
	White Balance		
ATW/ AWC/ MANUAL			
Output	Horizontal		
	500/ 530 (Color/ BW) TV Lines		
S/N Ratio	Vertical		
	350 TV Lines		
Lens	Video Output Level		
	VBS 1.0Vp-p (75 ohms, Composite)		
OSD	S/N Ratio		
	52dB		
Alarm	Lens Drive Type		
	Video/ DC		
Environmental Conditions	Mount Type		
	C/ CS		
Power	Yes		
	1		
Physical Specification	Operating Temperature		
	-10 ° C ~ +50 ° C		
Power	Humidity		
	Less than 90%		
	Power Requirement		
	SCC-B2003P : AC220V~240V	SCC-B2005P : AC220V~240V	SCC-B2007P : AC220V~240V
SCC-B2303P : AC24V/ DC12V	SCC-B2305P : AC24V/ DC12V	SCC-B2307P : AC24V/ DC12V	
Physical Specification	Power Consumption		
	SCC-B2003P : 5.0W, SCC-B2303P : 4.5W	SCC-B2005P : 5.0W, SCC-B2305P : 4.5W	SCC-B2007P : 5.0W, SCC-B2307P : 4.5W
Physical Specification	LED Indicator		
	Yes		
	Dimensions (W x H x D) -Net		
Physical Specification	65 x 55 x 130.5mm		
	Weight-Net		
	SCC-B2003P : 550g, SCC-B2303P : 450g	SCC-B2005P : 550g, SCC-B2305P : 450g	SCC-B2007P : 550g, SCC-B2307P : 450g
Physical Specification	Loading Quantity (20/ 40ft)		
	10,560/ 21,870		

Back Panel



Dimensions unit: (mm)



Distributor :

