

# CAM3365

## 3 Megapixel Day&Night Bullet Network Camera



- 3 Megapixel SONY Low Light Sensor with WDR
- Up to 2048 x 1536 Video Resolution
- Surveon Video Intelligent Ready
- 3X Optical Zoom and Surveon Auto Focus
- PoE (IEEE 802.3af) and Day/Night ICR
- Built-in IR Illuminators, Effective Up to 30 Meters
- IP66 and Wide Temperature for Outdoor Application



### Product Specification

| Camera                        |   |
|-------------------------------|---|
| Image sensor                  | 1/2.8" 3 megapixel SONY low light CMOS  |
| Lens                          | 3 - 10 mm motor lens, F1.3  |
| WDR                           | Yes (70 dB)   |
| Day/Night ICR                 | Yes   |
| IR LED                        | Yes (30M)   |
| Min illumination              | 0 Lux (IR LEDs on)  |
| Iris control                  | DC drive  |
| Shutter time                  | 1/5 ~ 1/15,000 s  |
| Viewing angle                 | Diagonal: 129°~34°<br>Horizontal: 100°~27°<br>Vertical: 73°~20°   |
| Camera angle adjustment       | N/A   |
| Pan/tilt/zoom functionalities | N/A   |
| Video                         |   |
| Video compression             | H.264/MPEG-4/MJPEG  |
| Resolution                    | Up to 2048 x 1536   |
| Frame rate                    | 15 fps at QXGA (2048 x 1536),<br>25 fps at 1080P (1920 x 1080),<br>30 fps at SXGA (1280 x 1024),<br>30 fps at HD720 (1280 x 720),<br>30 fps at VGA (640 x 480),<br>30 fps at QVGA (320 x 240) |
| Video stream                  | Dual stream at H.264, MPEG-4, and MJPEG simultaneously  |
| Bit rate                      | 32K ~ 10Mbps, VBR, CBR, controller frame rate and quality   |
| Video control                 | AGC (Auto Gain Control), AWB (Auto White Balance), BLC (Back Light Compensation), image adjustment  |
| Surveon Video Intelligent     | Motion detection, tampering detection (blocked, redirected, defocused, or spray-painted), missing object, foreign object, intrusion detection, forbidden area                                 |
| Video jack                    | N/A   |
| Audio                         |   |
| Built-in MIC                  | N/A   |

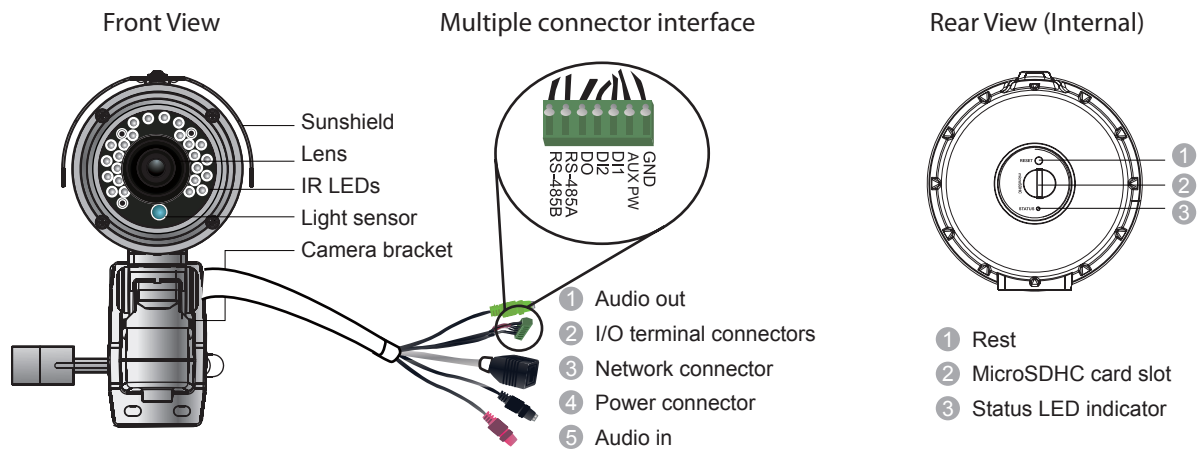
| Audio compression        | 32KHz, ADPCM  |
|--------------------------|---|
| Audio input/output       | 3.5mm phone jack  |
| I/O and Event Management |   |
| Alarm in                 | 2, terminal block   |
| Alarm out                | 1, terminal block   |
| Video buffer             | 5 second pre-alarm, 30 second post-alarm  |
| Event action             | Send snapshot or video clip by FTP or email, record to NAS, record to local storage, trigger DO       |
| Network                  |   |
| Supported protocols      | IPv4, ARP, TCP, UDP, ICMP, DHCP, NTP, DDNS, SMTP, FTP, HTTP, CIFS, PPPoE, UPnP, RTP, RTSP, RTCP, 3GPP |
| Ethernet                 | 10/100 Base-T / RJ45  |
| System                   |   |
| Local storage            | microSD/SDHC x 1 (Class 4/Class 6 only)   |
| RS-485                   | 1 (2 pin on terminal block)   |
| USB                      | N/A   |
| SDK                      | Surveon SDK 2.0   |
| Viewing System           |   |
| OS                       | Microsoft Windows XP/Vista/7  |
| Browser                  | Microsoft IE 6.0 or above   |
| Software                 | VMS 2.4.1   |
| General                  |   |
| Temperature              | Operation: -20°C~ 50°C (-4°F~122°F)<br>Storage: -30°C ~ 60°C (-22°F~140°F)                            |
| Humidity                 | 5 to 90%  |
| Power                    | 12VDC 1.5A ; PoE (IEEE 802.3af) with Class 3  |
| Power consumption        | Max. 9.6 W (w/o Heater )<br>Max. 25 W (w/ Heater )  |
| Dimension                | 105mm x 218.8mm x 191.41mm<br>(3.44" x 7.18" x 6.28")   |
| Weight                   | Net:1,400g (3.09lb.)<br>Gross:2,170g (4.8lb.)   |
| Certification            | Safety: LVD<br>EMC: FCC, CE<br>IP66   |

\* All specifications are subject to change without notice.  
\* All brand names and registered trademarks are the property of their respective owners.

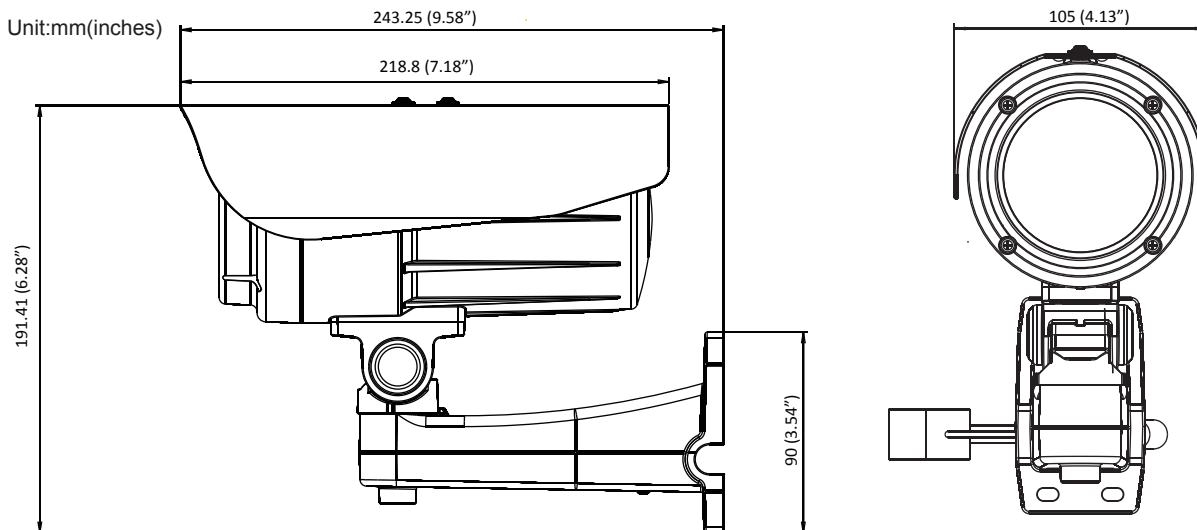
# CAM3365

3 Megapixel Day&Night Bullet Network Camera

## Part Names and Functions



## Appearance



## Package Content

| Contents                     | Quantity |
|------------------------------|----------|
| Quick Installation Guide     | 1        |
| Product DVD                  | 1        |
| CAM3365                      | 1        |
| Camera Bracket               | 1        |
| Screw Hole Indicator Sticker | 1        |
| Anchors and Mounting Screws  | 4        |
| L Type Hexagon Spanner       | 1        |

## Ordering Information

| Part Number  | Description   |
|--------------|---|
| CAM3365-0055 | 3 megapixel day&night outdoor bullet network camera with motor lens |

## Optional Accessories

| Part Number  | Description                |
|--------------|----------------------------|
| ZPWR18W-0030 | Power Adapter              |
| CAM3365-0050 | CAM3365 with Power Adapter |