

Dial Indicators

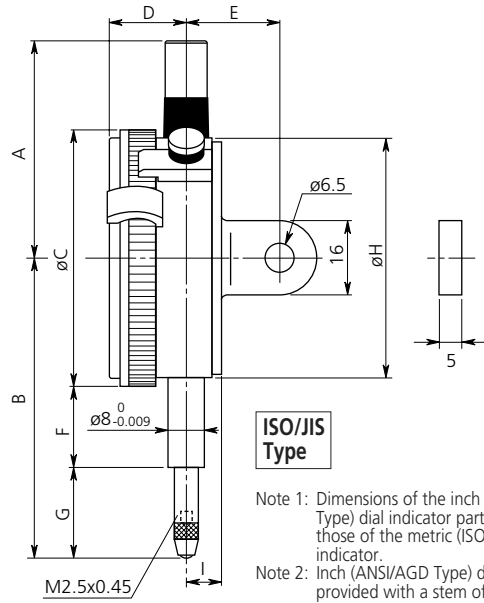
SERIES 2

DIAL INDICATORS



Dimensions

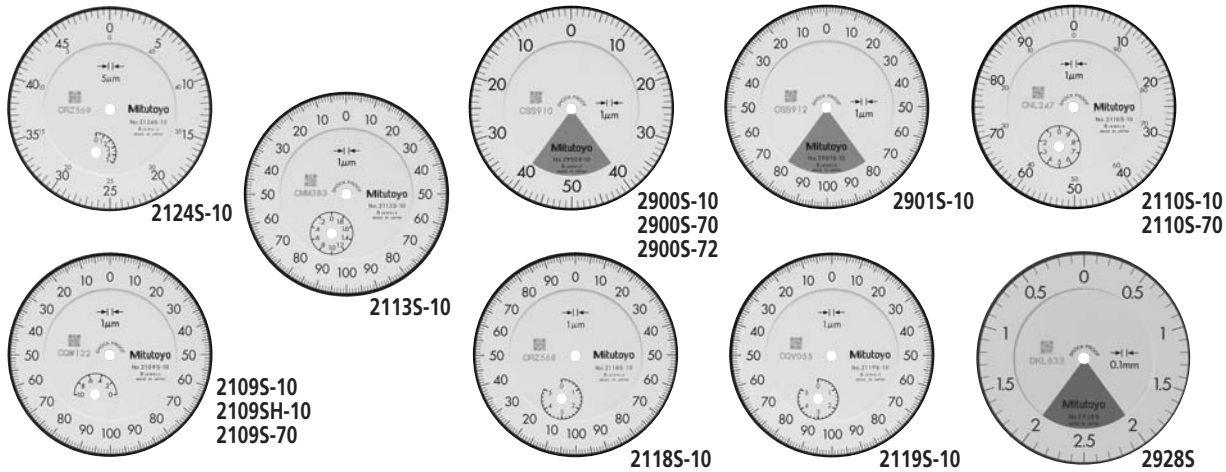
Unit: mm



Note 1: Dimensions of the inch (ANSI/AGD Type) dial indicator partly differ from those of the metric (ISO/JIS Type) indicator.
 Note 2: Inch (ANSI/AGD Type) dial indicator is provided with a stem of 3/8" dia. and #4-48UNF thread mount for the contact point.

Order No.	A	B	C	D	E	F	G	H	I
2124S-10	48.8	60.3	57	17.7	20	16.9	14.9	52	7.6
2900S-10	48.8	66	57	17.7	20	16.9	20.6	52	7.6
2900S-72	48.8	66	57	17.7	20	16.9	20.6	52	7.6
2900S-70	48.8	67	57	17.7	20	12.3	26.2	52	7.6
2901S-10	48.8	66.1	57	17.7	20	16.9	20.7	52	7.6
2110S-10	48.8	66.5	57	17.7	20	16.9	21.1	52	7.6
2110S-70	48.8	67.5	57	17.7	20	12.3	26.7	52	7.6
2109S-10	48.8	60.5	57	17.7	20	16.9	15.1	52	7.6
2109SH-10	48.8	60.5	57	17.7	20	16.9	15.1	52	7.6
2109SLB-10	48.8	80.5	57	17.7	—	36.9	15.1	52	7.6
2109S-70	48.8	65.3	57	17.7	20	12.3	24.5	52	7.6
2113S-10	48.8	61	57	17.7	20	16.9	14.9	52	7.6
2118S-10	48.8	60.3	57	17.7	20	16.9	14.9	52	7.6
2119S-10	48.8	60.3	57	17.7	20	16.9	14.9	52	7.6
2928S	48.8	65.2	57	17.7	20	16.9	19.8	52	7.6

- High Precision Type
- Reverse Reading
- Balanced Dial
- Continuous Dial
- One Revolution
- Damper at Lowest Rest Point
- Shockproof
- Adjustable Hand
- Waterproof
- Doubled Scale Spacing
- Coaxial Revolution Counter
- Peak Retaining
- Long Stem
- Dustproof
- Jeweled
- Low Force



SPECIFICATIONS

Metric ISO/JIS

Graduation	Range	Order No. Lug-Back	Order No. Flat-back	Range per revolution	Dial reading	Accuracy	Measuring force	Remarks
0.005mm	5mm	21245-10	2124SB-10	0.5mm	0-50 (50-0)	±12μm	1.5N or less	
0.001mm	0.1mm	29005-10	2900SB-10	—	50-0-50	±3.5μm	1.4N or less	
		29005-70	2900SB-70	—	50-0-50	±3.5μm	1.4N or less	
		29005-72	2900SB-72	—	50-0-50	±3.5μm	1.4N or less	
		29015-10	2901SB-10	—	80-0-80	±5μm	1.4N or less	
	1mm	21105-10	2110SB-10	0.1mm	0-100 (100-0)	±5μm	1.5N or less	
		21105-70	2110SB-70	0.1mm	0-100 (100-0)	±5μm	1.5N or less	
		21095-10	2109SB-10	0.2mm	0-100-0	±5μm	1.5N or less	
		2109SH-10	2109SHB-10	0.2mm	0-100-0	±3μm	1.5N or less	
		—	2109SLB-10	0.2mm	0-100-0	±5μm	1.5N or less	
		21095-70	2109SB-70	0.2mm	0-100-0	±5μm	2.0N or less	
2mm	21135-10	2113SB-10	0.2mm	0-100-0	±7μm	1.5N or less		
	21185-10	2118SB-10	0.2mm	0-100-100	±10μm	1.5N or less		
	21195-10	2119SB-10	0.2mm	0-100-0	±10μm	1.5N or less		
0.1mm	4mm	29285	2928SB	—	2-0-2	±40μm	1.4N or less	

Inch ANSI/AGD

Graduation	Range	Order No. Lug-Back	Order No. Flat-back	Range per revolution	Dial reading	Accuracy	Measuring force	Remarks
.01"	1"	2204F	2204FB	1"	0-1000	±.005"	2.0N or less	
.001"	.08"	2945-40	2945B-40	—	40-0-40	±.001"	1.4N or less	
		—	2908B-62	—	40-0-40	±.001"	1.4N or less	
	.125"	2780F	2780FB	.05"	0-50	±.001"	1.5N or less	
		2781F	2781FB	.05"	0-25-0	±.001"	1.5N or less	
	.25"	2410F	2410FB	.1"	0-100	±.001"	1.5N or less	
		2410F-10	2410FB-10	.1"	0-100	±.001"	1.5N or less	
		2410F-60	2410FB-60	.1"	0-100	±.001"	1.5N or less	
		2919F-10	2919FB-10	.1"	0-100	±.001"	1.5N or less	
		2411F	2411FB	.1"	0-50-0	±.001"	1.5N or less	
		2411F-10	2411FB-10	.1"	0-50-0	±.001"	1.5N or less	
2411F-60		2411FB-60	.1"	0-50-0	±.001"	1.5N or less		
2920F-10		2920FB-10	.1"	0-50-0	±.001"	1.5N or less		

High Precision Type	Reverse Reading	Balanced Dial	Continuous Dial	One Revolution
Damper at Lowest Rest Point	Shockproof	Adjustable Hand	Waterproof	Doubled Scale Spacing
Coaxial Revolution Counter	Peak Retaining	Long Stem	Dustproof	Jeweled
STOP	L.F			

DIAL INDICATORS

