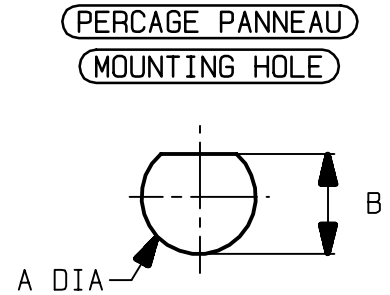
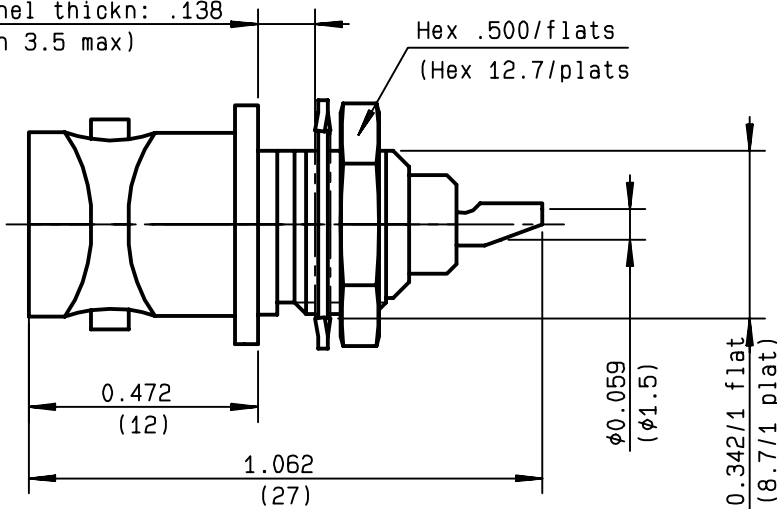


**BULKHEAD JACK RECEPTACLE FRONT MOUNTING
WITH SOLDER POT CONTACT - PACK 100**

R141.563.161
SERIES BNC-COM

max panel thic kn: .138
(ep pan 3.5 max)



	MM		INCH	
	maxi	mini	maxi	mini
A	9.6	9.5	0.378	0.37
B	8.85	8.75	0.348	0.344

NOMINAL IMPEDANCE	50	Ω
FREQUENCY RANGE	0-1.5	GHz
TEMPERATURE RATING	-35/+70	$^{\circ}\text{C}$
V.S.W.R	1.08* + .006 x F(GHz)Maxi	
RF INSERTION LOSS	.025* \sqrt{F} (GHz) dB Maxi	
VOLTAGE RATING	500	Veff Maxi
DIELECTRIC WITHSTANDING VOLTAGE	1500	Veff Mini
INSULATION RESISTANCE	5000	M Ω Mini
HERMETIC SEAL	NA	Atm.cm ³ /s
LEAKAGE (pressurized only)	NA	
MECHANICAL DURABILITY	100	Cycles
WEIGHT		gr
SPECIFICATION		

CABLES :

OTHERS CHARACTERISTICS

*** Coaxial Transmission Line Only**

CABLE RETENTION	NA	N Mini
CENTER CONTACT RETENTION		
Axial force - mating end	15	N Mini
Axial force - opposite end	15	N Mini
Torque	NA	cm.N Mini
RECOMMENDED TORQUES		
Mating	NA	cm.N
Panel nut	250	cm.N
Clamp nut	NA	cm.N

CONNECTOR PARTS	MATERIALS	FINISH	(all values are given) in micrometers
BODY	BRASS	NICKEL .	
OUTER CONTACT			
CENTER CONTACT	BRASS	SILVER OVER COPPER	
INSULATOR	DELTRIN (POM)	-	
GASKET		-	
OTHERS PIECES			

ISSUE	CREATION DATE	FILE PART-NUMBER
9913C00	26/02/1998	



Connect to the future

The information given here is subject to change without notice.
Design changes may be in order to improve the product .

TRIPRIER