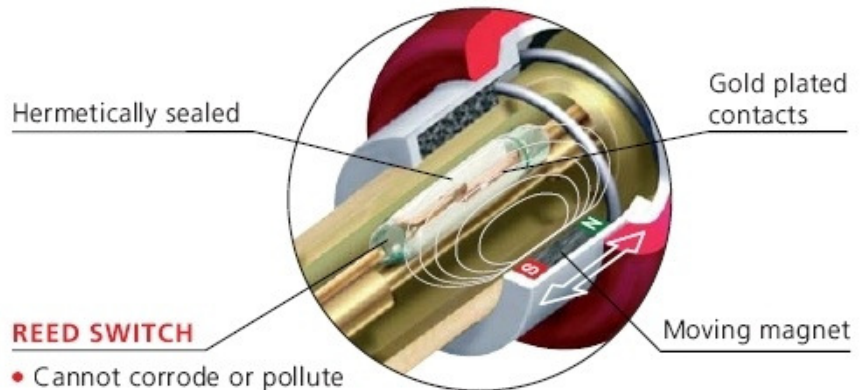




## Neutrik - NP2RX-AU-SILENT



- Cannot corrode or pollute
- No wear, constant contact resistance
- Decoupled from switching mechanism

Product	
Connector Type	Plug
Gender	Male
Electrical	
Contact Resistance	Depends on mating connector mΩ
Dielectric Strength	1 kVdc
Insulation Resistance	> 2 GΩ (initial)
Insulation Resistance	≥ 1 GΩ (after damp heat test)
Rated Current per Contact	Depends on mating connector A
Rated Voltage	50 V
Mechanical	
Cable O.D.	4 – 7 mm
Lifetime	> 1000 mating cycles
Wire Size	1 mm <sup>2</sup>
Wire Size	18 AWG
Wiring	Solder Contacts
RW / Straight	Yes

<b>Material</b>	
Bushing	Polyacetal (POM) + PU
Contact Plating	0.2 µm Au
Contacts	Brass (CuZn39Pb3)
Insert	Polyamide (PA 6.6 30 % GR)
Shell	Zinc diecast (ZnAl4Cu1)
Shell Plating	Partly Red Coated, Black Chromium Plated
Strain Relief	Polyacetal (POM)
<b>Environmental</b>	
Standard Compliance	IEC 60603-11 / EIA RS-453
Solderability	Complies with IEC 68-2-20
Temperature Range	-20 °C to +65 °C

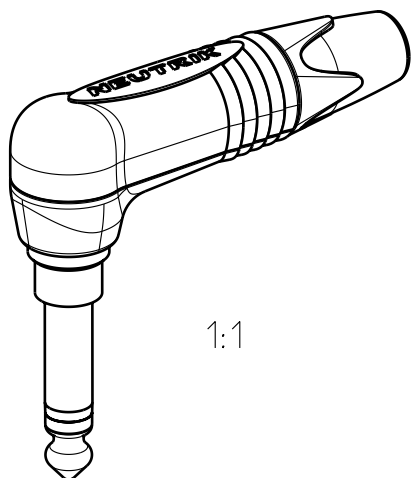
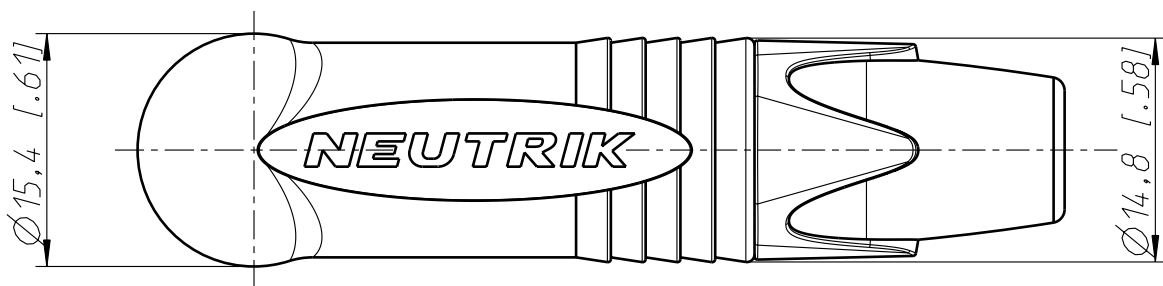
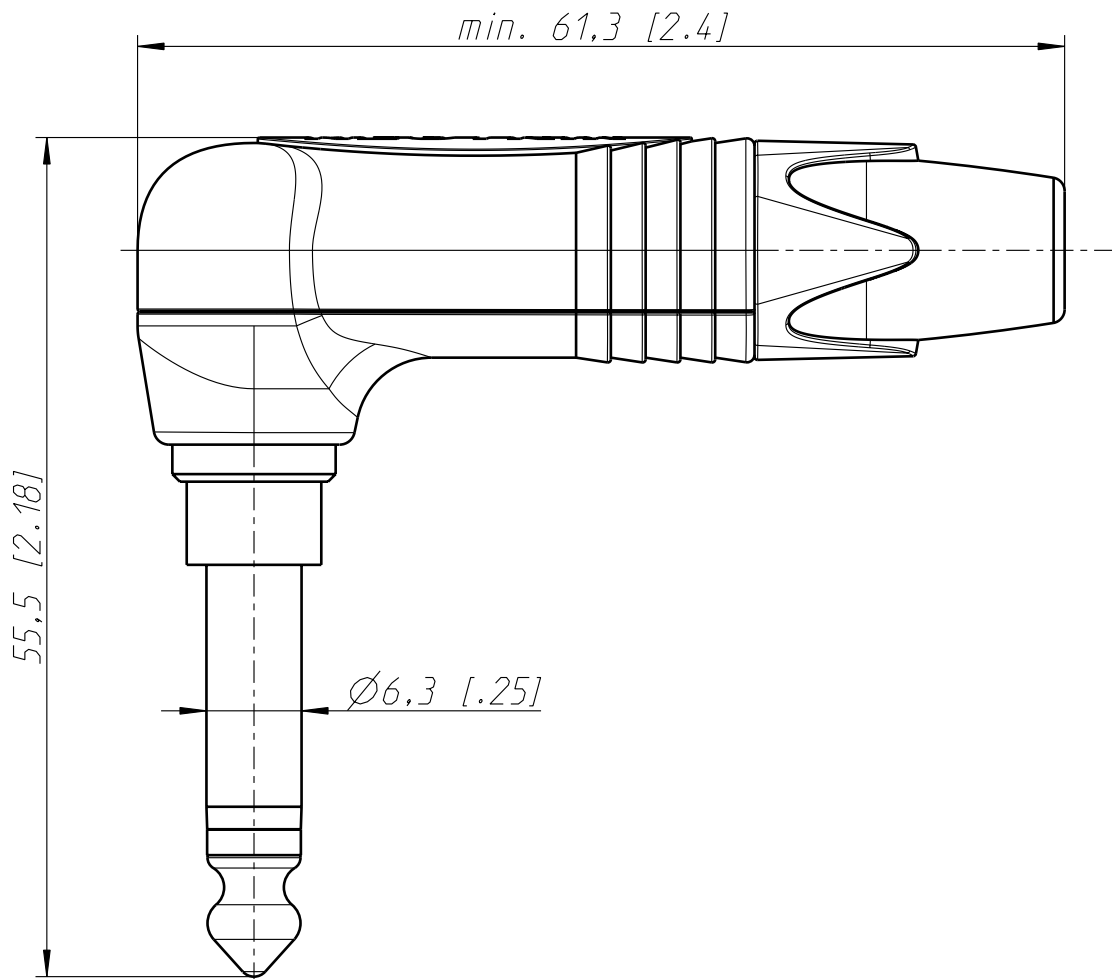
2 pole right angle 1/4" professional phone plug, gold plated contacts, red coating, silent switch

Special version of 2 pole plug with integrated switch which automatically mutes (shorts) a guitar cable to avoid annoying pops and squeals when hot swapping guitars. The integrated silent switch is based on the REED technology and guarantees a lifetime beyond 10'000 mating cycles.

### **Features & Benefits**

- Hermetically sealed and magnetically operated switch
- No wear, constant contact resistance
- No corrosion or pollution of switch, durable and long-lasting
- Lifetime beyond 10'000 mating cycles

Please note that the signal isn't muted with active electric bass guitars which have a tip-ring-sleeve tap to activate the power supply.



1:1

Allgemeintoleranzen ISO 2768-m	Werkstoff KEIN_MAT	Massstab: 2:1 (A4)	Gezeichnet	29.03.06	jutz b
			Freigegeben	-	-
Zeichnung urheberrechtlich geschuetzt (DIN 34) (C)	-		Geändert	-	-
			Aend.-Nr.	-	Aend.-Index -
Benennung Plugs NP2RX-AU-SILENT			Ersatz fuer:	Blatt 1 von 1 Bl.	
NEUTRIK AG FL-9494 SCHAAN			Zeichn. Nr.	ST-NP2RX-AU-SILENT	