

Neutrik – NC3MAAH



Product	
Connector Type	XLR
Gender	Male
Electrical	
Capacitance Between Contacts	≤ 4 pF
Contact Resistance	≤ 6 m Ω
Dielectric Strength	1,5 kVdc
Insulation Resistance	> 2 G Ω (Initial)
Insulation Resistance	> 1 G Ω (after Damp Heat Test)
Rated Current per Contact	6 A
Rated Voltage	50 V
Grounding Options	Separate ground contact connected to mating connector shell and front panel, no connection to Pin 1
Mechanical	
Insertion Force	≤ 20 N
Withdrawal Force	≤ 20 N
Lifetime	> 1000 mating cycles
Wiring	Horizontal PCB mount
Locking Device	Latch Lock
Mounting Direction	Rear
Chassis Shape	A
Mounting	A-Screw

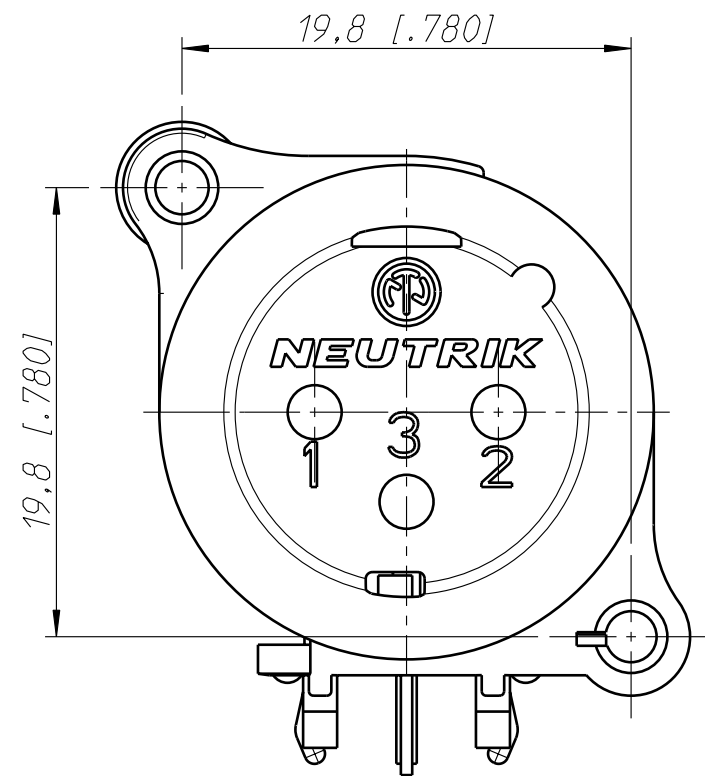
Material	
Contact Plating	0.2 µm AuCo over 2 µm NiP15 (Tribor®)
Contacts	Brass (CuZn35Pb2)
Insert	Polyamide (PA 6.6 30 % GR)
Flange	Black Plastic
Environmental	
Flammability	UL 94 HB
Standard Compliance	IEC 61076-2-103
Protection Class	IP 40
Solderability	Complies with IEC 68-2-20
Temperature Range	-30 °C to +80°C

New most cost-effective round plastic body XLR PCB mount panel connector. Front panel cutout and PCB layout 100% compatible to A series. New "tulip" type contact design with high contact pressure for highest durability. Push latch assembled. Flammability rating UL94HB.

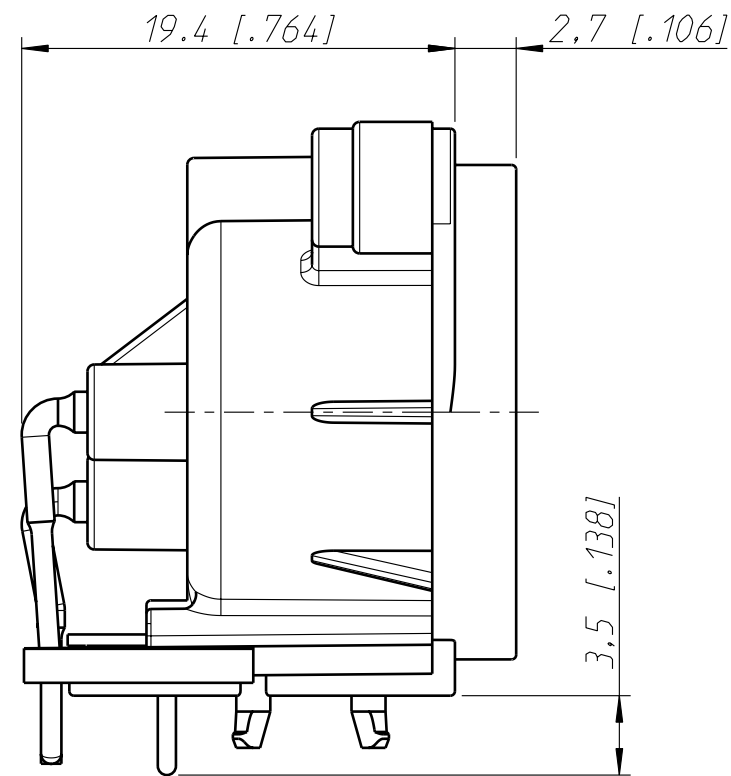
3 pole male XLR receptacle, grounding: separate ground contact to mating connector shell and front panel, horizontal PCB mount

Features & Benefits

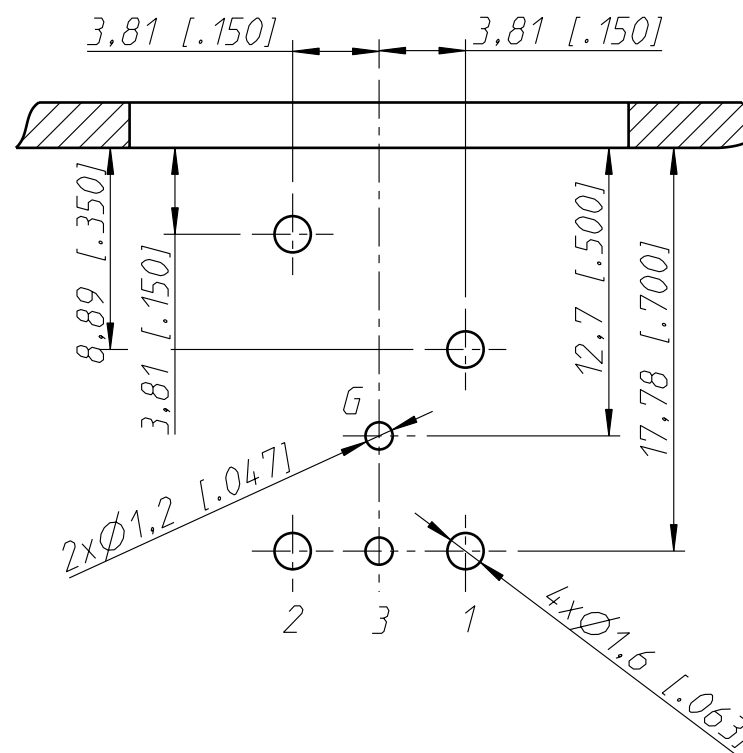
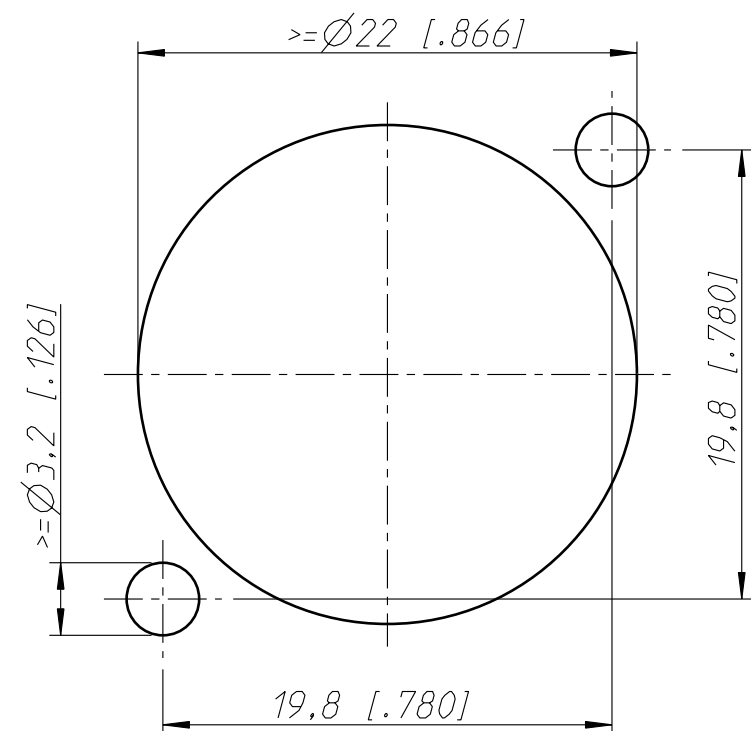
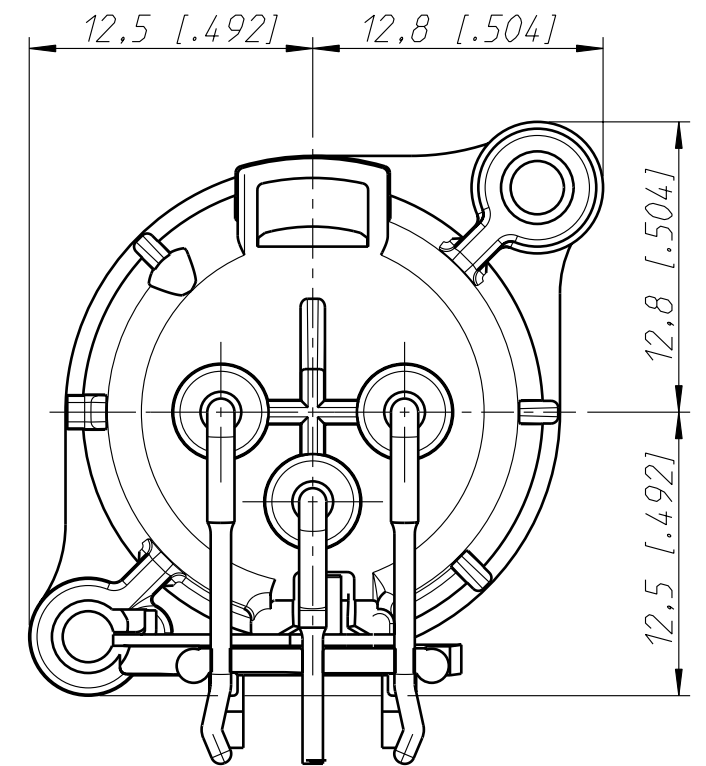
- Most cost-effective series
- "Tulip" type contact design with high contact pressure for highest durability
- Selective gold plated contact and PCB termination area for best conductivity and solderability



Frontplattenausschnitt (Rueckseite)
Panel cut out (rear side)



Print Bohrplan (Bestueckungsseite)
PCB-Layout (component side)



Allgemeintoleranzen ISO 2768-m	Werkstoff	Massstab:	Datum	Name	
Zeichnung urheberrechtlich geschuetzt (DIN 34) (C)	-	3:1 (A3)	Gezeichnet	21.06.04	Payr
			Freigegeben		
Benennung	NC 3MAAH NC 3MAAH		Geaendert	30.03.09	Mijatovic
			Aend.-Nr.	-	Aend.-Index B
			Ersatz fuer:	Blatt 1 von 1 Bl.	
NEUTRIK AG FL-9494 SCHAAN			Zeichn. Nr.	ST-NC 3MAAH	