

## OSCILLOSCOPE PROBE

### Passive probe TEXAS-xxx/I Series



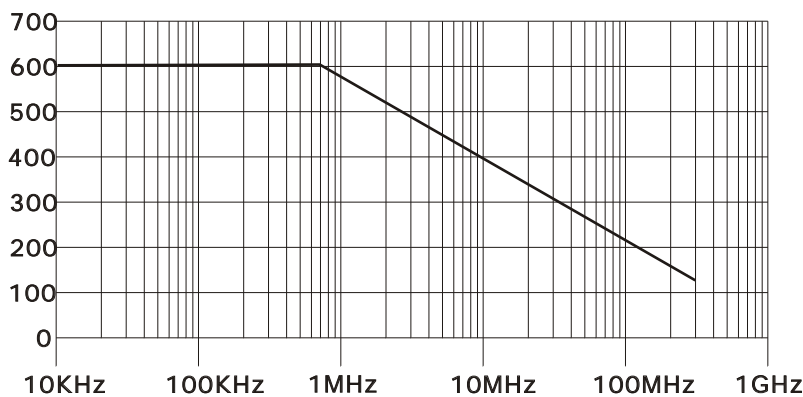
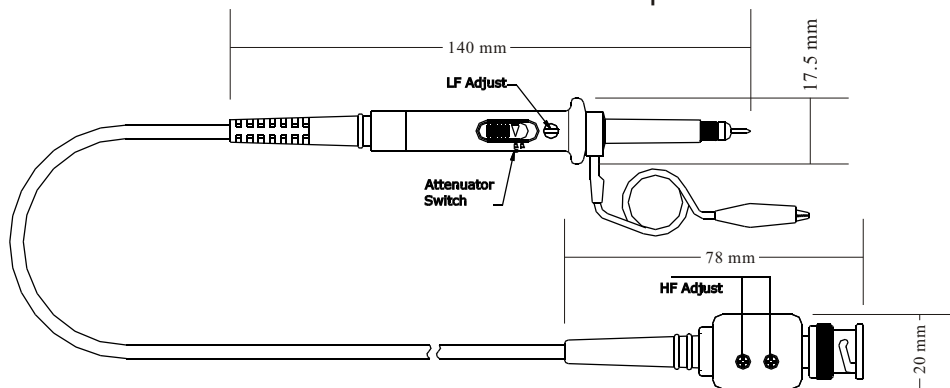
The TEXAS-xxx/I series 10:1/1:1 switchable standard probe for oscilloscopes with system bandwidth up to 300MHz. For optimal oscilloscope input matching. The probes are equipped with low and high frequency adjustments.

Probe bandwidth ratings are specified as system bandwidth. System bandwidth includes both probe and oscilloscope together as system. The result is a probe frequency response that essentially can be considered transparent.

Modular construction.

Full set a accessories are included with each probe.

All probes meet IEC1010-2-031,600 Vpp, CATI



#### Accessory Pack includes

- Ground spring(1).
- Ground lead 12cm (1).
- Retractable hook tip(1).
- Insulating cap(1).
- IC insulating cap(1).
- Trimmer tool(1).
- Color ring(2).
- Probe tip(1).
- BNC Adapter(1).

Model	Attenuation	Bandwidth (3dB)MHz	Rise-time (ns)	Compensation Range(pF)	MAX. Input Volt	Input Res. (MΩ)	Input Cap. pF	GND REF.
TEXAS150/I	X1/X10	15/150	23.3/2.33	5-35	600	1/10	57/14	X
TEXAS200/I	X1/X10	15/200	23.3/1.75	5-35	600	1/10	57/14	X
TEXAS250/I	X1/X10	15/250	23.3/1.4	5-35	600	1/10	57/14	X