

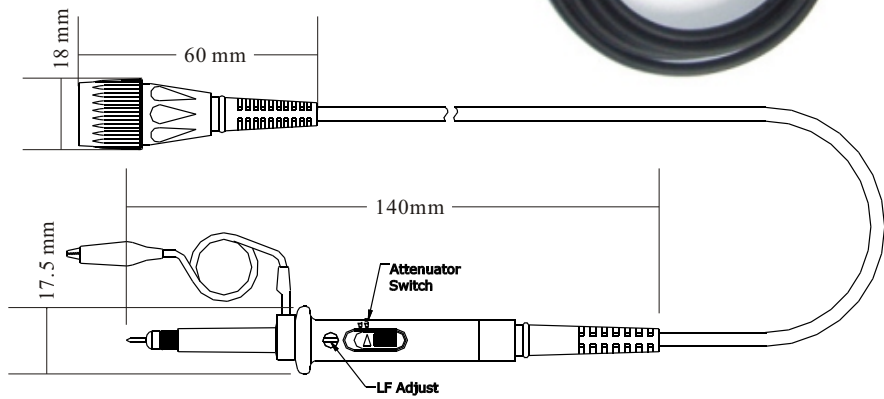
### Passive probe TEXAS-XXX/I Series

The H.K.TEXAS design of passive oscilloscope probes feature a one piece (monolithic) design for robust probe life. Probe bandwidth ratings are specified as system bandwidth. System bandwidth includes both probe and oscilloscope together as system. The result is a probe frequency response that essentially can be considered transparent.

Modular construction.

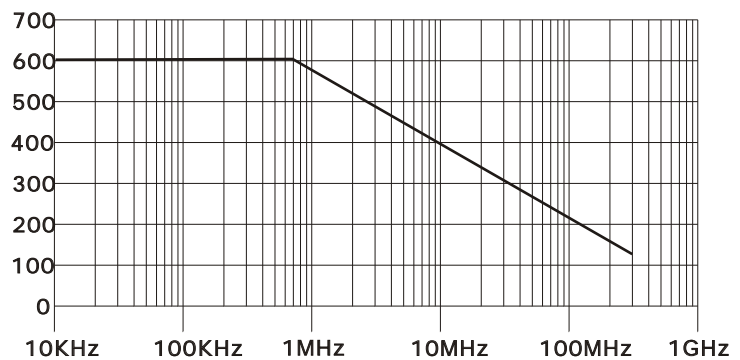
Full set a accessories are included with each probe.

All probes meet IEC1010-2-031,600 Vpp, CATI



#### Accessory Pack includes

- Ground spring(1).
- Ground lead 12cm (1).
- Retractable hook tip(1).
- Insulating cap(1).
- IC insulating cap(1).
- Trimmer tool(1).
- Color ring(2).
- Probe tip(1).



Model	Attenuation	Bandwidth (3dB)MHz	Rise-time (ns)	Compensation Range(pF)	MAX. Input Volt	Input Res. (MΩ)	Input Cap. pF	GND REF.
TEXAS20/I	X1/X10	15/20	23.3/17.5	10-60	600	1/10	60/15	X
TEXAS40/I	X1/X10	15/40	23.3/8.75	10-60	600	1/10	60/15	X
TEXAS60/I	X1/X10	15/60	23.3/5.8	10-60	600	1/10	57/15	X
TEXAS100/I	X1/X10	15/100	23.3/3.5	10-60	600	1/10	57/15	X