



Features

- Model: DPM-3232 with internal shunt measures: 0-20A (0.01A), 5.0-60V (0.01V)
- Model: DPM-3221 with external shunt (not supplied) measures:
- All measured voltage range for both model can be extended to 0-60V with external dc source.
- Measures : Current, Voltage, Power W
- Scrolling Display of: Max.V, Max.I, Min.V, Min I, Watt Hour, Amp Hour, and Operational Period in hour: minute: second
- Stop scrolling display is by press of reset button to monitor any of the above
- Connect to PC via optional Data Adapter for retrieval of logged data of V, I (1,500 sets) at 3 minute interval and set of registered group data.
- Unit can be mounted on supplied Snap- on Mounting Bracket or to a ferrous metal Surface magnetically.

Description

These digital DC power meters measures the; current, voltage, watt, and registers the max. and min. voltage and current, watt hour, ampere hour and total run time.

All these data are logged in the meter and can be retrieved to a PC via optional Data adapter and software.

There are two models and both have the same features, performance specifications except in the range of current measured.

DPM-3232 has a built in shunt and max current measured is 30 A.

DPM-3221 is designed to use with commonly available external shunts (50mV).

The max current measured depends on the shunt and can be 50A/ 100A/ 200A

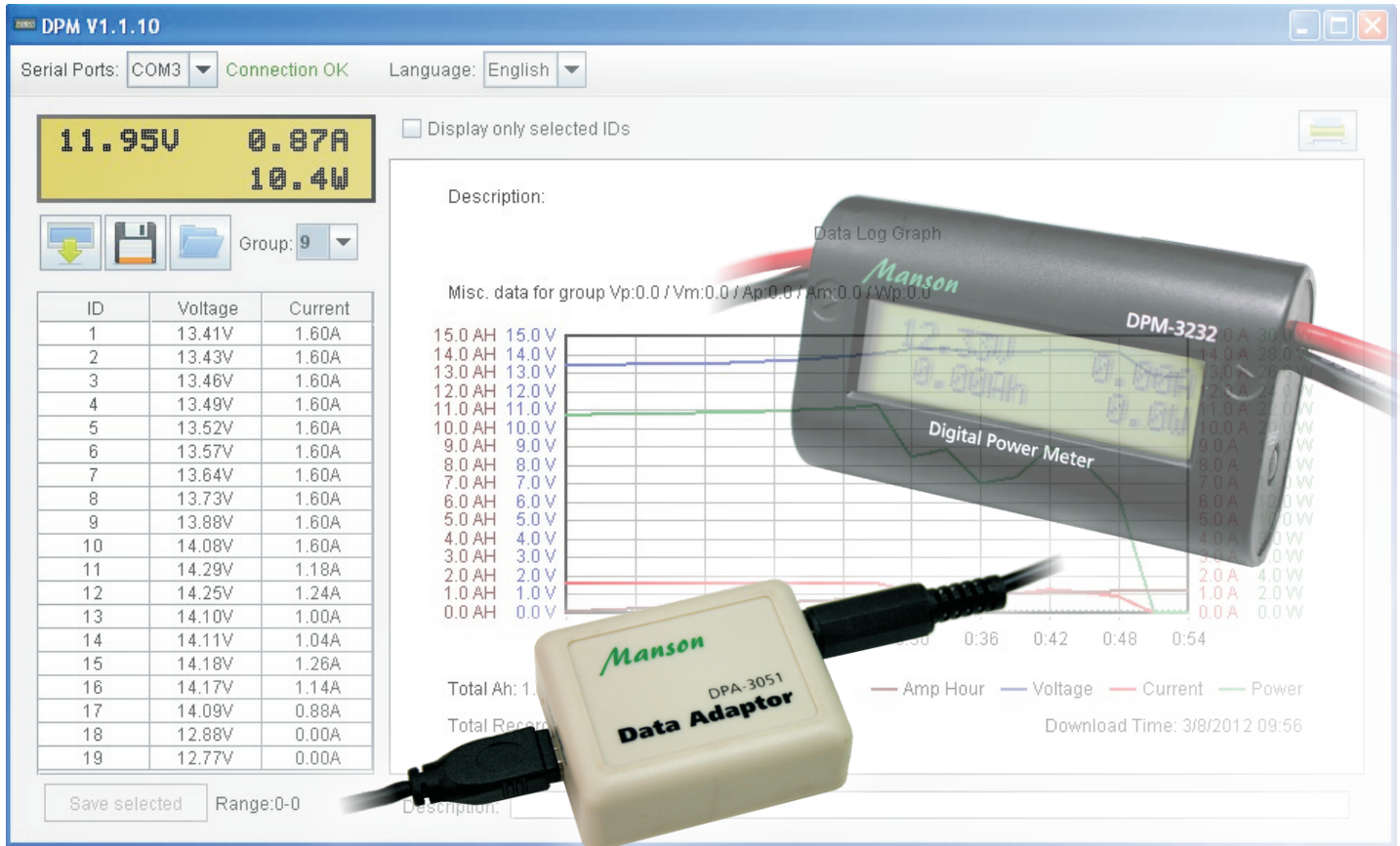
The power meter consumes 60mw at voltage from 5 to 60V DC. It takes operation power from either the source or load side. If an external DC source (5 to 60 Vdc) is used the voltage measured range is extended from 5-60V to 0-60V.

Specifications

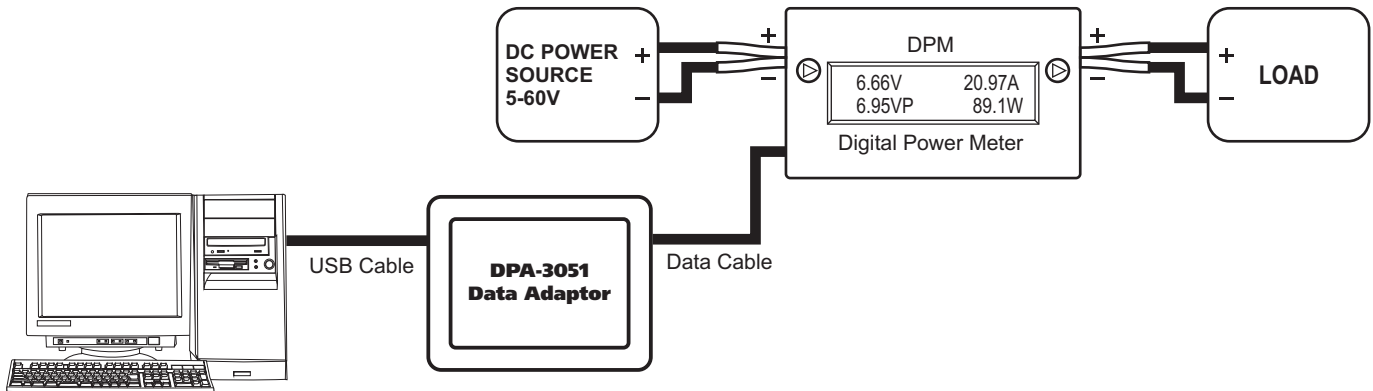
Models	DPM-3232 (with internal shunt)	DPM-3221 (for use with external shunt)		
Measured Parameters		50A / 50mV	100A / 50mV	200A / 50mV
Current Range Amp.	0-20Amp continuous, 30Amax. for 30min.	0-50Amp cont.	0-100Amp cont.	0-200Amp cont.
Voltage Range Volt.	5~60V or 0~60V with external DC source			
Power Watt (W)	0-3600W, 0.1W	Max. recorded W: 12,000W Resolution of W: 0.1W for W<10,000W 1W for W>10,000W		
Resolution of V & I	0.01V , 0.01A	0.01V , 0.01A	0.01V , 0.02A	0.01V , 0.05A
Scrolling Display of Registered Parameters				
Ampere Hour (AH)	Max. recorded AH: 99,999AH Resolution of AH: 0.01AH for total recorded AH <1,000AH 0.1AH for 10,000 > total recorded AH > 1,000AH 1AH for total recorded AH > 10,000AH			
Peak Watt (Wp) registered	0-3600W , 0.1W resolution	Max. recorded W: 12,000W Resolution of W: 0.1W for W<10,000W 1W for W>10,000W		
Energy: Kilo Watt Hour (KWH)	0-9999.9KWH , 0.1WH			
Registered Peak Voltage (Vp), Min. Voltage (Vm), Peak Current (Ap), Min. Current (Am)	The new high and low values of voltage and current will replace the old ones during the metering period and registered at the finish of the metering period			
Accumulative Max. Operation Period logged	75 Hours			
Scrolling speed on LCD	2 seconds for one parameter			
Data logging interval	3 minute			
Operation Voltage and Current	5 ~ 60V and 12mA			
External DC Source Range	5 ~ 60V , 9mA ~ 12mA			
Operation Condition	0 ~ 50°C , non condensing humidity			
Storage Condition	minus -10°C ~ 60°C			
Construction				
LCD Display	VA= 54mm x 14.4mm, 16 character x 2 row STN 5*8 dots			
Housing Material	Poly-carbonate			
Dimension & Weight	75(L) x 45(W) x 23(D) mm 100g Approx.			
Supplied Accessories	2 screw-on type connector blocks; snap-on mounter & external power wire with plug	Snap-on mounter & external power wire with plug, phone cable with RJ-11 plug, Inline coupler connector.		
Optional Accessories	Data adapter module & software for data logging; External DC power box w/ socket (battery not included)	External shunt modules with RJ-11 socket. 10 M long phone cable with plugs.		
Approvals	CE EN 61326			

■ All values are based on the Standard ambient Temperature 25°C and Pressure 0.1Mpa.

■ SPECIFICATIONS ARE SUBJECT TO CHANGE WITHOUT PRIOR NOTICE



DPA-3051 Connection Diagram



Features

- Extra portable design
- Support USB 2.0
- Self powered to support DPM for offline analysis
- DPM application software
- Support Windows 7/ Vista/ XP/ Server 2003/ 2000/ 98SE

Description

DPA-3051 is data adapter for connecting Digital Power Meters DPM-3232, DPM-3221 to PC through USB 2.0 connection. By using proprietary DPM application software, it allows you to extract and analysis data stored in DPM. The downloaded data can be saved in your PC in commonly used data format for other applications use. It works with DPM either online or offline. The graphical interface of the application software enables you to do instant data analysis. Besides data analysis, it also displays real-time reading of voltage, current and power of DPM online.