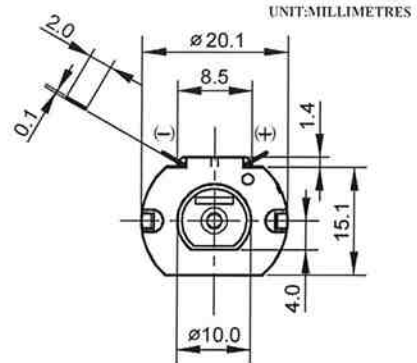
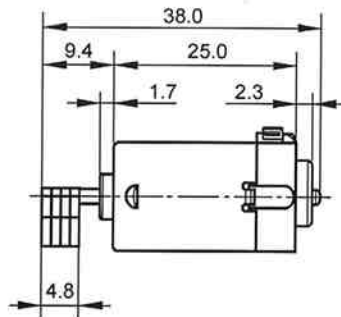
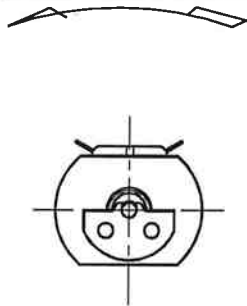


● **MODEL: TF10-DS4m-12240 drawing**

DIRECTION OF ROTATION



**ELECTRICAL CHARACTERISTICS**

ITEM	SPECIFICATION
Rate Voltage	1.5V DC
On Load Speed	2000±10%rpm
On Load Current	57±10mA
Operation Voltage	1.5~6VDC