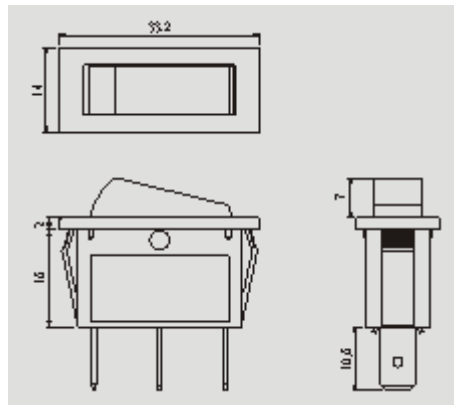


R13-70 • 91

LR45128



Rating

16A 125V AC 1/8HP
125VAC
10A 250V AC 1/3HP
250VAC

Contact resistance

50mΩ Max

Insulation resistance

DC 500V 100MΩ Min

Dielectric strength

AC 1500V 1 minute

Cut-out

FEATURES

- MATERIAL: Frames are nylon (UL flame: 94V-2). Terminals are silver plated brass.
- Illuminated actuators are molded in PC, available with red, amber, and green colors.
- Snap-in mounting, easy to install switch into panel.
- The dimension of frame is 33.2*14, for shorter dimension of frame 31.5*14, please refer to page 1-33, item NO. R13-221.
- SO terminal is not available for function H & I.

	X	Y
	.2-0.	.2-0.
	7.2-0.	.2-0.
	0.75~1.25	30.2-0.1 11.2+0.1
	1.25~2	30.4-0.1 11.2+0.1
	2~3	30.8-0.1 11.2+0.1

R13----

ROCKER

FUNCTION

TERMINAL

<p>7 0</p>	<p>A</p>	<p>D</p>	<p>0 1</p>
<p>9 1</p>	<p>B</p>	<p>F</p>	<p>0 5</p>
<p>B F</p>	<p>H</p>		
<p>C</p>	<p>I</p>		

* () =momentary



How to Order?



