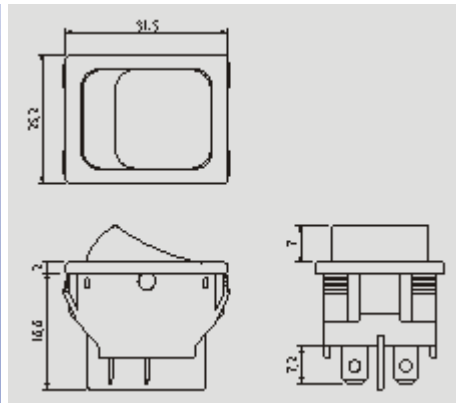


# R13-87

LR45128



Rating  
 16A 125V AC  
 10A 250V AC  
 Contact resistance  
 50mΩ Max  
 Insulation resistance  
 DC 500V 100MΩ Min  
 Dielectric strength  
 AC 1500V 1 minute  
 Cut-out

X

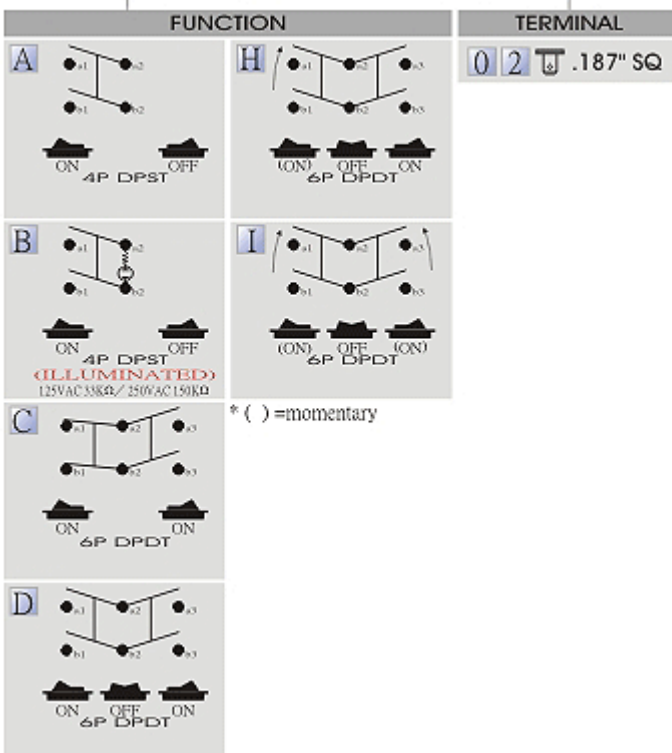
Y

.2-0.	7.2-0.	.2-0.
	X	Y
0.75~1.25	30.2-0.1	22.2+0.1
1.25~2	30.4-0.1	22.2+0.1
2~3	30.8-0.1	22.2+0.1

## FEATURES

- **MATERIAL:** Frames are nylon (UL flame: 94V-2). Terminals are silver plated brass.
- Illuminated actuators are molded in PC, available with red, amber, and green colors.
- Snap-in mounting, easy to install switch into panel.
- Waterproof cover is optional.

## R13-87



How to Order?

