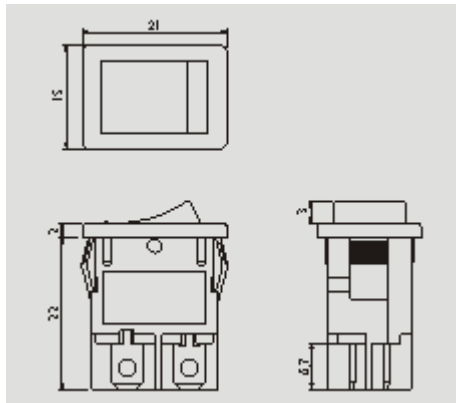


R13-73



Contact resistance
50mΩ Max
Insulation resistance
DC 500V 100MΩ Min
Dielectric strength
AC 1500V 1 minute
Cut-out

	X	Y
.2-0.	7.2-0.	.2-0.
	X	Y
0.75~1.25	19.2-0.1	13.0+0.1
1.25~2	19.4-0.1	13.0+0.1
2~3	19.8-0.1	13.0+0.1

FEATURES

- MATERIAL: Frames are nylon (UL flame: 94V-2). Terminals are silver plated brass.
- Illuminated actuators are molded in PC, available with red, amber, and green colors.
- Snap-in mounting, easy to install switch into panel.

How to Order?

R13-73

FUNCTION	RATING	TERMINAL
<p>ON OFF 4P DPST</p>	<input checked="" type="checkbox"/> 10A 125V AC 6A 250V AC	0 2 .187" SQ 0 9 PC 1 0 PC ANGLE
<p>ON OFF 4P DPST</p>		
<p>ON OFF 3P SPST (ILLUMINATED) 125VAC 33KΩ / 250VAC 150KΩ</p>		
<p>ON OFF 4P DPST (ILLUMINATED) 125VAC 33KΩ / 250VAC 150KΩ</p>		

