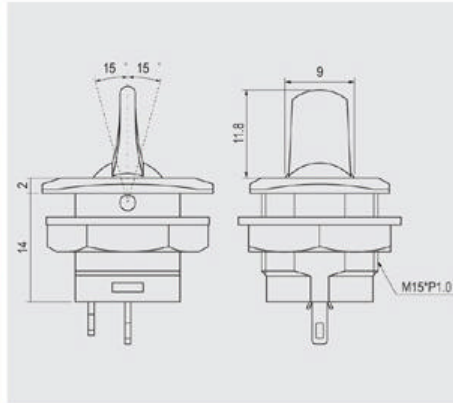


# R13-402



Rating
6A 125V AC 3A 250V AC
Contact resistance
50mΩ Max
Insulation resistance
DC 500V 100MΩ Min
Dielectric strength
AC 1500V 1 minute
Cut-out

## FEATURES

\* MATERIAL: Frames are nylon (UL flame: 94V-2). Base are PBT (UL flame:94V-0). Terminals are silver plated brass.

## R13-402

