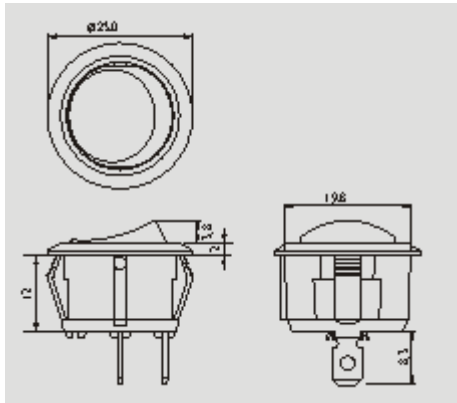


R13-208



Rating

16A 125V AC
10A 250V AC

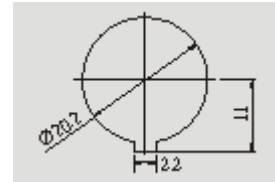
Contact resistance
50mΩ Max

Insulation resistance
DC 500V 100MΩ Min

Dielectric strength
AC 1500V 1 minute

Cut-out

[How to Order?](#)



3 mm max



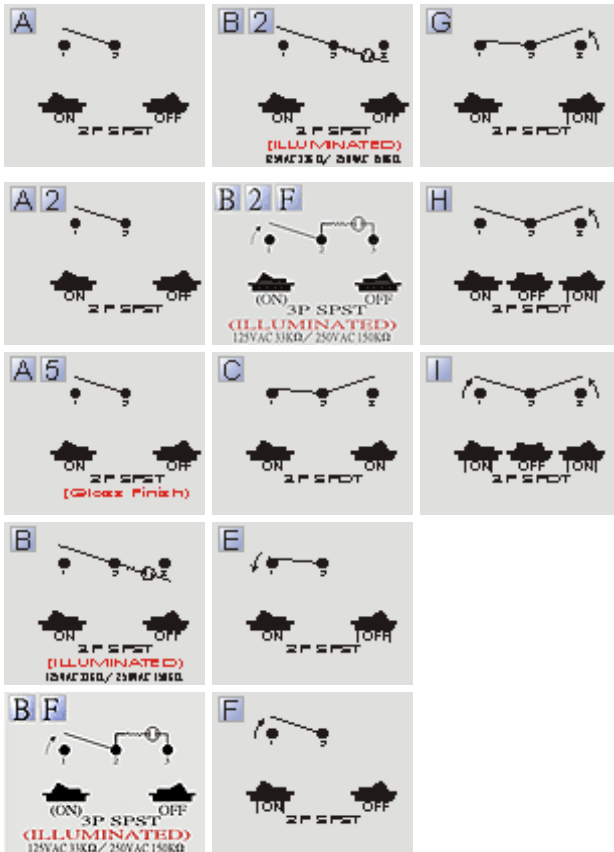
FEATURES

- MATERIAL: Frames are nylon (UL flame: 94V-2). Terminals are silver plated brass.
- Illuminated actuators are molded in PC, available with red, amber, and green colors.
- Snap-in mounting, easy to install switch into panel.
- Waterproof cover is optional.
- Dust resistant.
- The dimension of frame is 12 mm, for longer one, please refer to page 1-19~1-20 item no. R13-112.

R13-208

FUNCTION

TERMINAL



.187" SQ
* () =momentary

