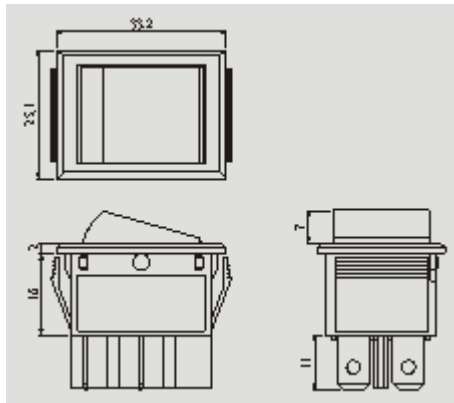


# R13-69

LR45128



## Rating

16A 125V AC 1/8HP  
125VAC  
10A 250V AC 1/3HP  
250VAC

## Contact resistance

50mΩ Max

## Insulation resistance

DC 500V 100MΩ Min

## Dielectric strength

AC 1500V 1 minute

## Cut-out

X

Y

.2-0.      7.2-0.      .2-0.



X

Y

0.75~1.25      30.2-0.1      22.2+0.1

1.25~2      30.4-0.1      22.2+0.1

2~3      30.8-0.1      22.2+0.1

[How to Order?](#)

## FEATURES

- MATERIAL: Frames are nylon (UL flame: 94V-2). Terminals are silver plated brass.
- Illuminated actuators are molded in PC, available with red, amber, and green colors.
- Snap-in mounting, easy to install switch into panel.



R13-69

### FUNCTION

### TERMINAL



0 1 .250" SQ  
0 5 SO

