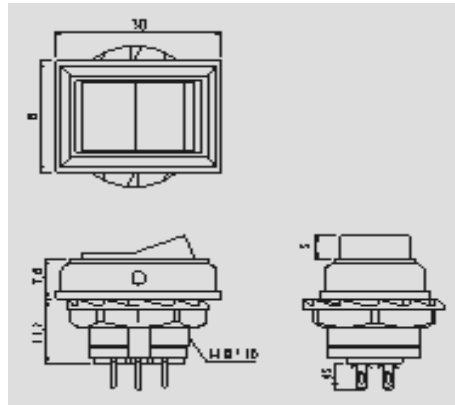


R13-49

LR45128



Rating

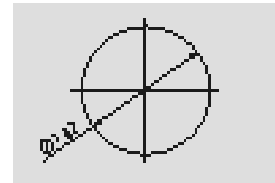
10A 125V AC
6A 250V AC

Contact resistance
50mΩ Max

Insulation resistance
DC 500V 100MΩ Min

Dielectric strength
AC 1500V 1 minute

Cut-out



6 mm max

[How to Order?](#)



FEATURES

- MATERIAL: Actuators are nylon (UL flame: 94V-2). Terminals are silver plated brass.
- Phenolic base.

R13-49

FUNCTION

TERMINAL



0 5 10 so

