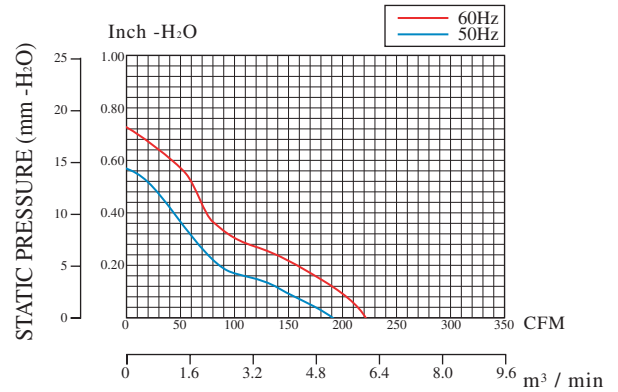
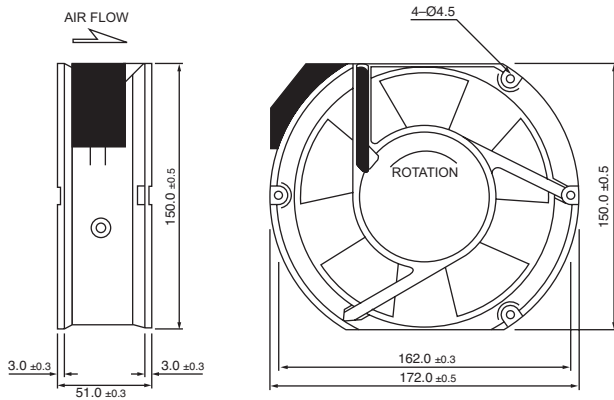


172 x 150 x 51 mm



Frame Type: Aluminum painted & Plastic UL94V-0
Impeller: Thermoplastic UL94V-0 P.B.T.

Model	Part No. Terminal Leadwire	Bearing System	Rated Voltage	Freq	Current	Input Power	Speed	Air Flow	Static Pressure	Noise Level	Weight
(型號)	(端子/出線)	(培林)	(V)	(Hz)	(A)	(W)	(rpm)	(CFM)	(mm-H ₂ O)	(dB-A)	(g)
HPE-1725HA1	1725HA1SAT(L) 1725HA1BAT(L)	Sleeve Ball	110/120	50/60	0.47/0.51	38/47	2700/3100	190/220	0.55/0.72	53/59	920
HPE-1725HA2	1725HA2SAT(L) 1725HA2BAT(L)	Sleeve Ball	220/240	50/60	0.28/0.40	44/53	2700/3100	190/220	0.55/0.72	53/59	920

Specifications subject to change without notice.

以上參考數據，如有變更恕不另行通知。