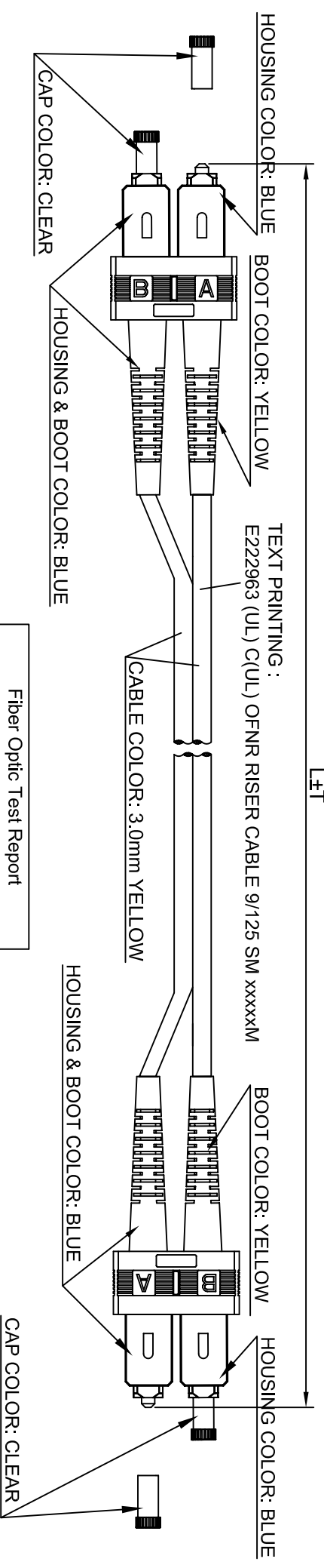


REV.	REVISION	DATE

SC/PC SM CONNECTOR

SC/PC SM CONNECTOR



- NOTE:
1. INSERTION LOSS < 0.3dB.
 2. OPERATION TEMP: -25°C TO +80°C, 5 CYCLES.
 3. DURABILITY: 500 CYCLES.
 4. VIBRATION: 10 TO 55 Hz 1.5mm DOUBLE AMPLITUDE.
 5. TENSILE STRENGTH: 10Kg.
 6. PACKING:

ROUND CABLE METHOD SEE "DETAIL A"		
BAG TYPE	QTY	LABEL
SMALL	1 CABLE & TEST REPORT (DETAIL C)	NONE
MEDIUM	POLYBAG	10 CABLES (1M-10M)
LARGE	POLYBAG	ALL
EACH LARGE POLYBAG IN AN OUTER CARTON		NONE

Fiber Optic Test Report			
Single Mode Patch Cable			
Insertion Loss	A	Printed PASS	Non Printed PASS
	B	Printed PASS	Non Printed PASS
Return Loss	A	Printed PASS	Non Printed PASS
	B	Printed PASS	Non Printed PASS
>55dB	A	Printed PASS	Non Printed PASS
>55dB	B	Printed PASS	Non Printed PASS

TEST REPORT

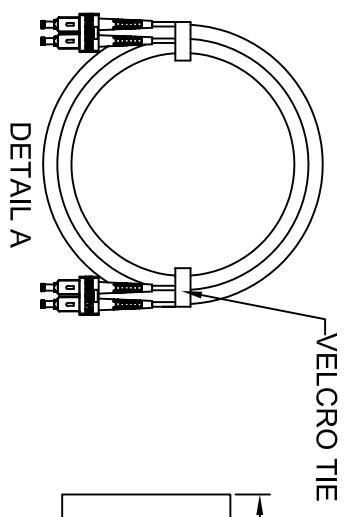
MADE IN CHINA

FIBER OPTIC PATCH CABLE
8.9/125 Single Mode
Yellow Duplex PVC Zip Cord
SC to SC Duplex Connectors

FCSCSCS**M
QTY: 10PCS

2" (50.0)

1" (25.0)



FCSCSCS**M
QTY: 10PCS

BASE CONDUIT

RoHS COMPLIANT

DETAIL C

CHART

FCSCSCS30M	30	30	98.4	98.4'(30000)	±4(±100)
FCSCSCS20M	20	20	65.6	65.6'(20000)	±4(±100)
FCSCSCS15M	15	15	49.2	49.2'(15000)	±4(±100)
FCSCSCS10M	10	10	32.8	32.8'(10000)	±4(±100)
FCSCSCS07M	07	7	22.97	22.97'(7000)	±2(±50)
FCSCSCS05M	05	5	16.4	16.4'(5000)	±2(±50)
FCSCSCS03M	03	3	9.84	9.84'(3000)	±2(±50)
FCSCSCS02M	02	2	6.56	6.56'(2000)	±2(±50)
FCSCSCS01M	01	1	3.28	3.28'(1000)	±2(±50)
PART NO.	**	X	##	L	T

CUSTOMER APPROVAL:

DATE:

TRENDIX INDUSTRIES (DONG GUAN) CO., LTD.

UNITS: Inches [mm]	TITLE: FIBER OPTIC CABLE DUPLEX SINGLEMODE 9/125, SC TO SC YELLOW PVC JACKET, X METERS.
DRAWN BY: Liang	CUSTOMER: PONTOP
CHECKED BY:	CUSTOMER PART NO. FCSCSCS**M
APPROVED BY:	DRAWING NO. PP1110003
SALE BY:	TRENDIX PART NO. REV. A