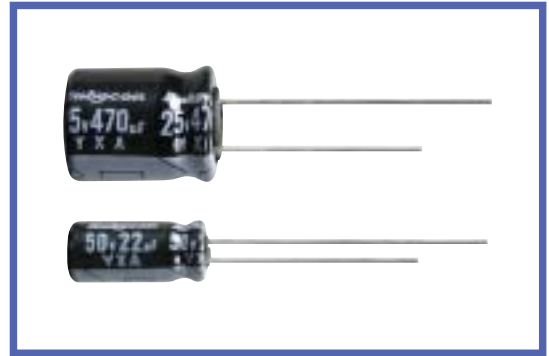


YXA SERIES

105°C Standard
◆ FEATURES

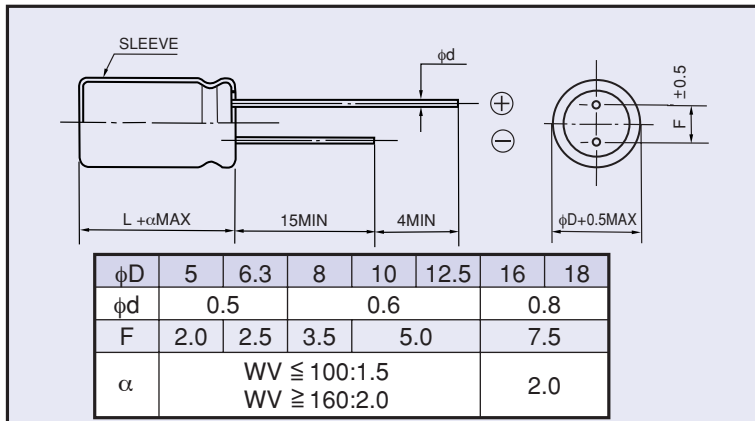
- RoHS compliance.


◆ SPECIFICATIONS

Items	Characteristics																
Category Temperature Range	-55 ~ +105°C	-40 ~ +105°C	-25 ~ +105°C														
Rated Voltage Range	6.3 ~ 100V.DC	160 ~ 250V.DC	350 ~ 450V.DC														
Capacitance Tolerance	±20% (20°C, 120Hz)																
Leakage Current(MAX)	6.3 ~ 100V.DC		160 ~ 450V.DC														
	I=0.01CV or 3 μA whichever is greater. (After 2 minutes application of rated voltage)		CV ≤ 1000														
			CV > 1000														
		I=0.1CV+40 μA (1minute) I=0.03CV+15 μA (5minutes)	I=0.04CV+100 μA (1minute) I=0.02CV+25 μA (5minutes)														
		I=Leakage Current(μA)	C=Rated Capacitance(μF) V=Rated Voltage(V)														
Dissipation Factor(MAX) (tanδ)	Rated Voltage (V)	6.3	10	16	25	35	50	63	100	160	200	250	350	400	450	(20°C, 120Hz)	
	tanδ	0.26	0.22	0.18	0.16	0.14	0.12	0.10	0.08	0.20	0.20	0.20	0.24	0.24	0.24		
When rated capacitance is over 1000 μF, tanδ shall be added 0.02 to the listed value with increase of every 1000 μF.																	
Endurance	After life test with rated ripple current at conditions stated in the table below, the capacitors shall meet the following requirements.																
	Capacitance Change	Within ±25% of the initial value.														Case Dia	Life Time (hrs)
	Dissipation Factor	Not more than 200% of the specified value.														φD ≤ 8	1000
	Leakage Current	Not more than the specified value.														φD=10	2000
Low Temperature Stability Impedance Ratio(MAX)	Rated Voltage (V)	6.3	10	16	25	35	50	63	100	160	200	250	350	400	450	(120Hz)	
	Z(-25°C) / Z(20°C)	4	3	2	2	2	2	2	2	3	3	3	6	6	6		
	Z(-40°C) / Z(20°C)	8	6	4	4	3	3	3	3	-	-	-	-	-	-		

◆ DIMENSIONS

(mm)

◆ MULTIPLIER FOR RIPPLE CURRENT


Frequency coefficient

Coefficient	Frequency (Hz)	60(50)	120	500	1k	10k ≤
	0.1~1 μF	0.50	1.00	1.20	1.30	1.50
2.2~4.7 μF	0.65	1.00	1.20	1.30	1.50	
10~47 μF	0.80	1.00	1.20	1.30	1.50	
100~1000 μF	0.80	1.00	1.10	1.15	1.20	
2200~22000 μF	0.80	1.00	1.05	1.10	1.15	

◆ PART NUMBER

□□□	YXA	□□□□□	□	□□□	□□	DxL
Rated Voltage	Series	Rated Capacitance	Capacitance Tolerance	Option	Lead Forming	Case Size

