

DESCRIPTION

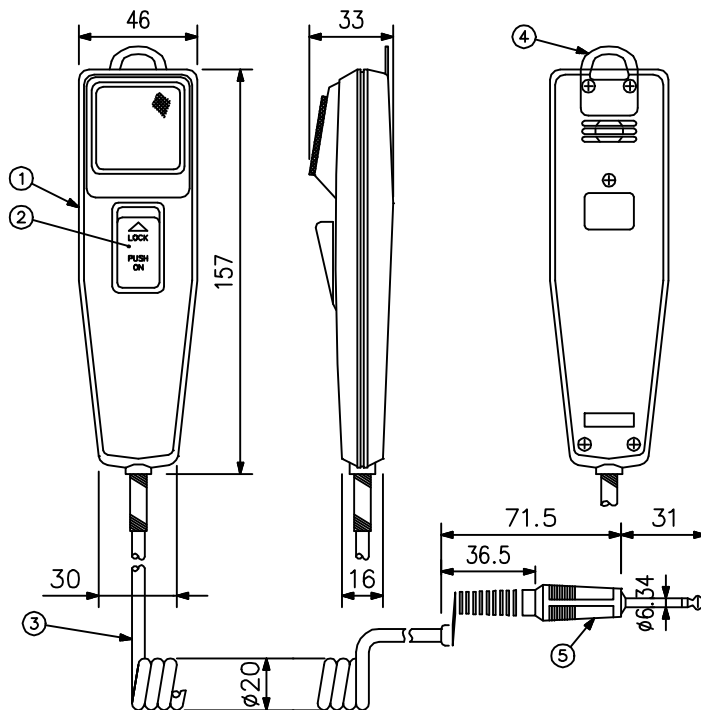
The PM-120 is a dynamic and close talking microphone designed solely for paging applications.

SPECIFICATIONS

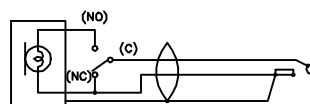
Type	Dynamic
Directivity	Unidirectional
Frequency response	50 ~ 12,000Hz (Close-talking characteristic)
Output level at 1kHz	-76dB ± 3dB (0dB=1V/0.1Pa) -56dB ± 3dB (0dB=1mV/Pa)
Nominal impedance	250ohms±20% unbalanced
Recommended load	150 ~ 5,000ohms
Cable	coiled cable ø6x2.5m (at a maximum extended length)
Talk switch	Push-to-talk switch
Weight	230g
Material	ABS Resin
Finish	Embossed
Color	Champagne gold (Front), Black (Rear)
Optional	Extension cable(MC-105),Microphone hanger(2202)

The microphone can be modified to the balanced type by changing a plug.

APPEARANCE



SCHEMATIC DIAGRAM



- 1.Body
- 2.Talk switch
- 3.Microphon card
- 4.Microphon hanger
- 5.Phone plug

UNIT:mm SCALE:1/3