

# CEILING MOUNT SPEAKER

PC-1868 HK

## ❖ DESCRIPTION

Designed for simple installation, the TOA PC-1868 HK is equipped with a metal grille and an ABS resin Baffle. It can be easily installed thanks to its spring catch method.

The front net is also made of metal, simplifying cleaning.

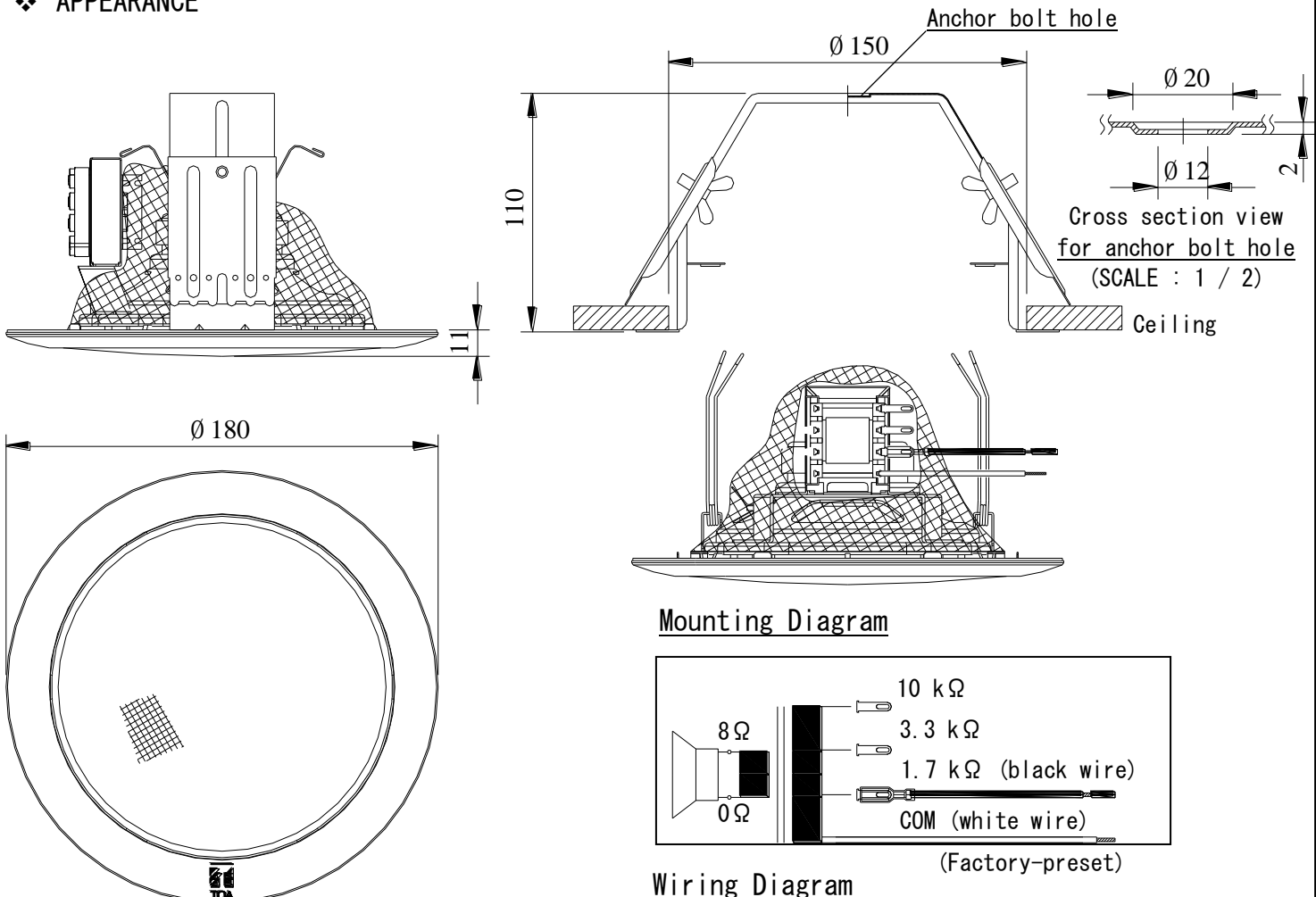
## ❖ SPECIFICATIONS

Rated Input	6 W (for 100 V line), 3 W (for 70 V Line)
Rated Impedance	100 V line : 1.7 kΩ (6 W), 3.3 kΩ (3 W), 10 kΩ (1 W) (Internal wiring must be changed) 70 V line : 1.7 kΩ (3 W), 3.3 kΩ (1.5 W), 10 kΩ (0.5 W) (Internal wiring must be changed)
Sound Pressure Level	90 dB (1 W, 1 m, 330 - 3,300 Hz Pink noise)
Frequency Response	100 - 16,000 Hz
Speaker Component	12 cm cone-type
Dimension for Fixing Hole	∅150 (mounting hole) x 50 (maximum ceiling thickness) mm
Speaker Mounting Method	Spring catch
Applicable Cable	600 V Vinyl-insulated cable (IV wire or HIV wire) Solid copper wire : ∅0.8 - ∅12 mm 7-core twisted copper wire : 0.75 - 1.25 m
Finish	Baffle : ABS resin, off-white (RAL 9010 or equivalent color) Grille : Net, off-white (RAL 9010 or equivalent color), paint
Dimensions	180 x 11 (exposed section) + 110 (D) mm
Weight	675 g (bracket included)

[Note] Do not cover the speaker with heat insulating material or sound absorbing material.

Ensure that the speaker is kept away from the heat insulating material.

## ❖ APPEARANCE



UNIT : mm SCALE : 1 / 3

[Note] Use transformer terminals when changing input impedance.