

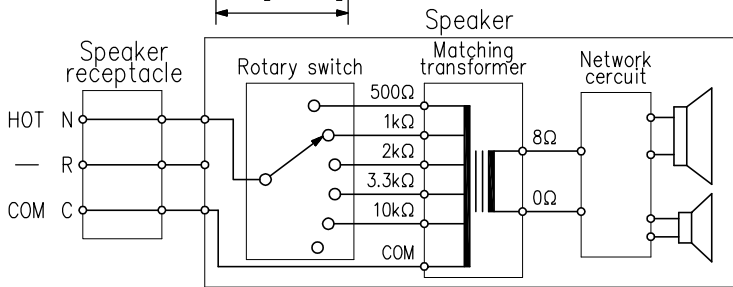
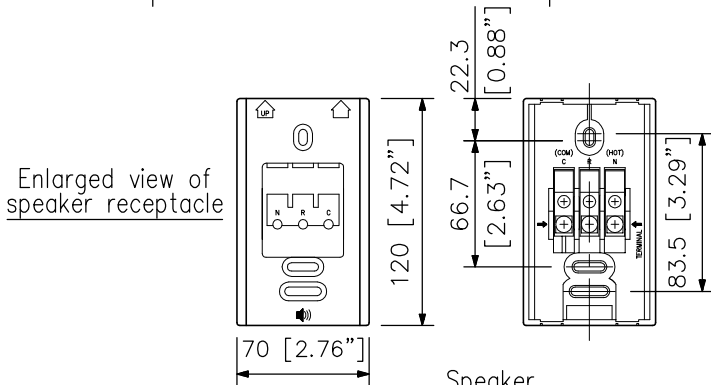
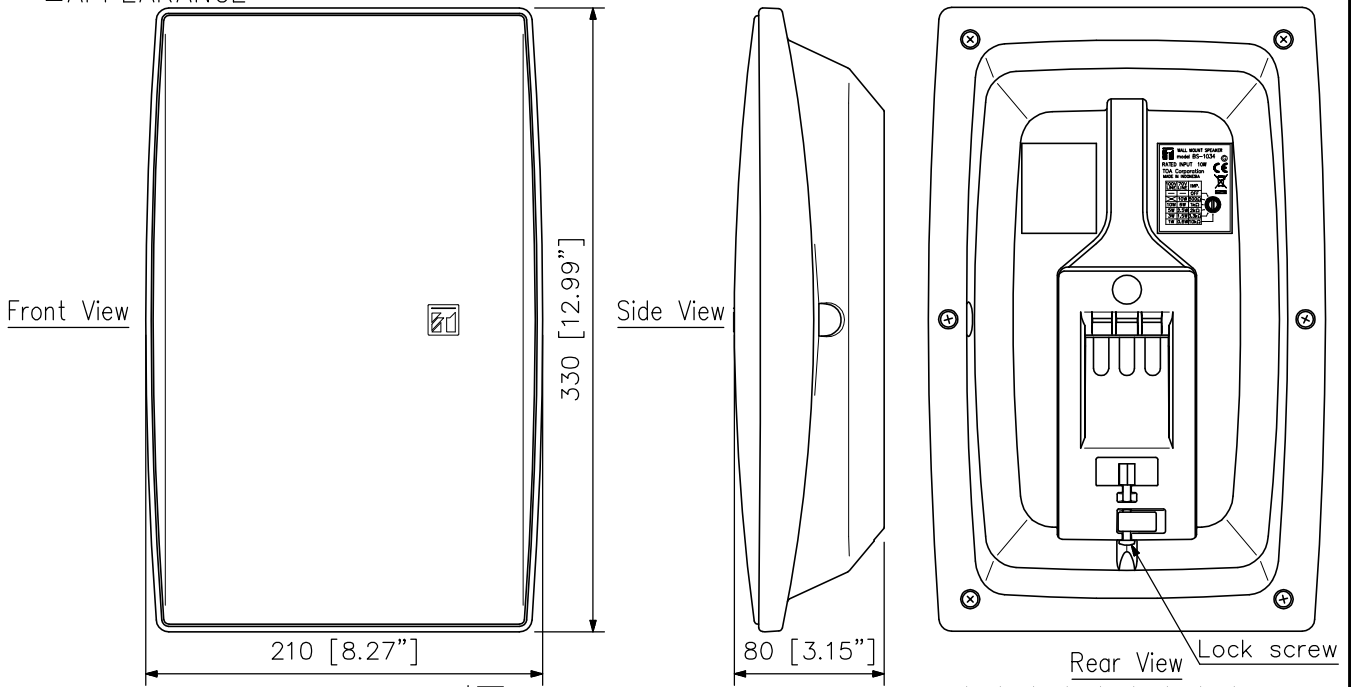
### DESCRIPTION

The BS-1034 can be installed easily on the wall with help of the plug-in speaker receptacle.

### SPECIFICATIONS

Rated Input	10 W
Rated Impedance	100 V line: 1 kΩ (10 W), 2 kΩ (5 W), 3.3 kΩ (3 W), 10 kΩ (1 W) 70 V line: 500 Ω (10 W), 1 kΩ (5 W), 2 kΩ (2.5 W), 3.3 kΩ (1.5 W), 10 kΩ (0.5 W)
Sensitivity	90 dB (1 W, 1 m)
Frequency Response	120 – 20,000 Hz
Speaker Component	Low frequency: 12 cm (5") cone-type, High frequency: Balanced dome-type
Input Connector	M4 screw terminal, distance between barriers: 11 mm (0.43")
Finish	Enclosure: HIPS resin (fire resistant grade UL94 V-0 or its equivalent), off-white (RAL 9010 or equivalent color) Net: Steel plate, off-white (RAL 9010 or equivalent color), paint
Dimensions	210 (W) × 330 (H) × 80 (D) mm (8.27" × 12.99" × 3.15")
Weight	1.4 kg (3.09 lb)
Accessory	Speaker receptacle ---1, Wall mounting screw ---2

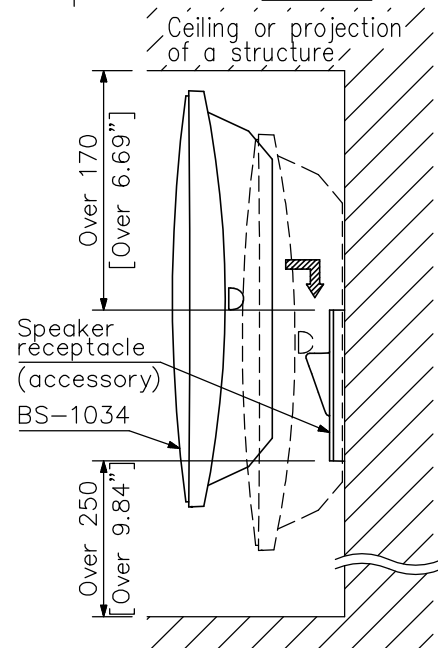
### APPEARANCE



(Factory-preset wiring)  
Note: Never connect to the 500 Ω in a 100 V line system.

Wiring Diagram

UNIT:mm SCALE:1/4



Note: As a force of approx. 18 kg (39.68 lb) is applied to the speaker receptacle at the time of speaker installation, attach it in a location durable enough to withstand the force.

Installation view (scale: 1/6)