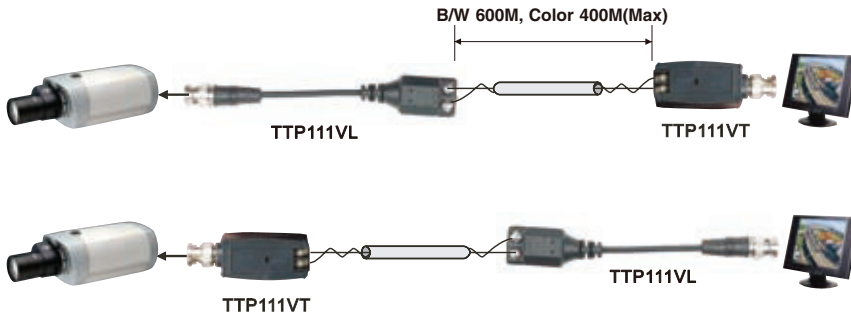


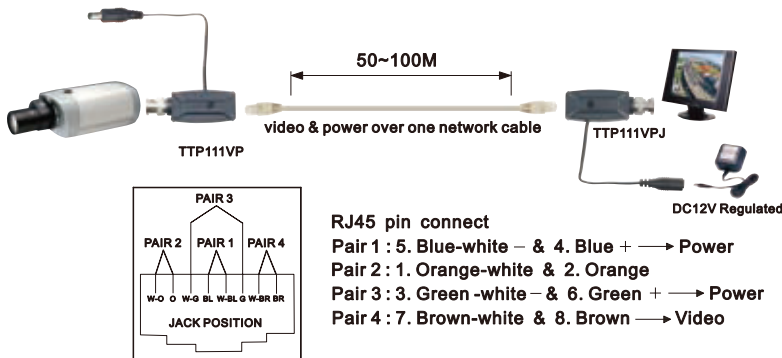
## TTP111VK (TTP111VT+TTP111VL) DIY KIT



Twisted Pair Transmission

## TTP111VPK (TTP111VP+TTP111VPJ) DIY KIT

- Video & Power Transmission Over One CAT5 Cable



## TTP111VPK-T (TTP111VP-T+TTP111VPJ-T) Professional KIT

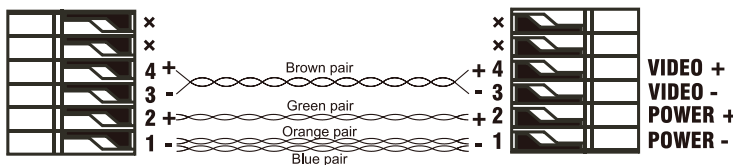
- Send video & power over one CAT5 UTP cable.
- 6 pin terminal connector for easy connections.
- Power cable could be one, two, or three pairs option based on camera power consumption and transmission range.

### TTP111VP-T

- BNC male + power DC plug to 6 pin terminal

### TTP111VPJ-T

- BNC male + power DC jack to 6 pin terminal



Note: The Blue pair can be split and used to supplement the conductors on terminals 1 to extend the power transmission distance.



## TTP111VP-LK (TTP111VP-L+TTP111VPJ-L) with Pigtail version KIT

- Video & Power Transmission over one CAT5 cable
- With pigtail version for easy mounting and installation.

